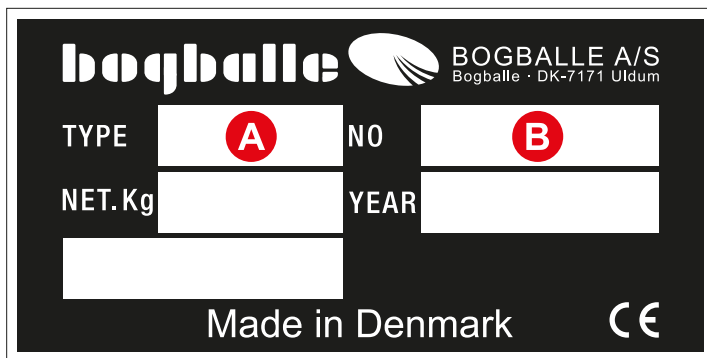
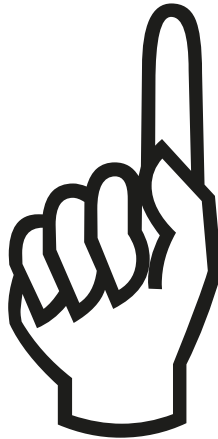


Spare Parts List



Spreaders + Equipment

Model and serial number



| TYPE A | NO B |
|---------------|-------------|
| M60W MT | >101 |
| M60W MI | >101 |
| M45W MT | >101 |
| M45W MI | >101 |
| M35W MT | >101 |
| M35W MI | >101 |
| L20W Z | >101 |
| L20W I | >101 |
| M45 | >101 |
| M35 | >101 |
| L20 | >101 |
| L15 | >101 |

Table of Contents

M60W

| | |
|----------------------------------|----|
| Chassis..... | 6 |
| Weighing frame | 12 |
| Hopper with outlet shutters..... | 18 |
| Hopper..... | 20 |
| Transmission | 24 |
| Spreading system..... | 26 |
| Regulation system..... | 30 |

M45W

| | |
|----------------------------------|----|
| Chassis..... | 8 |
| Weighing frame | 14 |
| Hopper with outlet shutters..... | 18 |
| Hopper..... | 22 |
| Transmission | 24 |
| Spreading system..... | 28 |
| Regulation system..... | 30 |

M45

| | |
|----------------------------------|----|
| Chassis..... | 8 |
| Hopper with outlet shutters..... | 18 |
| Hopper..... | 22 |
| Transmission | 24 |
| Spreading system..... | 28 |
| Regulation system..... | 32 |

M35W

| | |
|----------------------------------|----|
| Chassis..... | 10 |
| Weighing frame | 16 |
| Hopper with outlet shutters..... | 18 |
| Hopper..... | 22 |
| Transmission | 24 |
| Spreading system..... | 28 |
| Regulation system..... | 30 |

M35

| | |
|----------------------------------|----|
| Chassis..... | 10 |
| Hopper with outlet shutters..... | 18 |
| Hopper..... | 22 |
| Transmission | 24 |
| Spreading system..... | 28 |
| Regulation system..... | 32 |

L20W

| | |
|----------------------------------|----|
| Chassis..... | 42 |
| Weighing frame | 46 |
| Hopper with outlet shutters..... | 48 |
| Hopper..... | 48 |
| Transmission | 54 |
| Spreading system..... | 56 |
| Regulation system..... | 62 |

Table of Contents

L20

| | |
|----------------------------------|----|
| Chassis..... | 42 |
| Hopper with outlet shutters..... | 48 |
| Hopper..... | 48 |
| Transmission | 54 |
| Spreading system..... | 56 |
| Regulation system..... | 62 |

L15

| | |
|----------------------------------|----|
| Chassis..... | 44 |
| Hopper with outlet shutters..... | 50 |
| Hopper..... | 52 |
| Transmission | 58 |
| Spreading system..... | 60 |
| Regulation system..... | 62 |

Trails

| | |
|-----------------|----|
| M45-Trail | 34 |
| M35-Trail | 36 |
| L20-Trail | 36 |

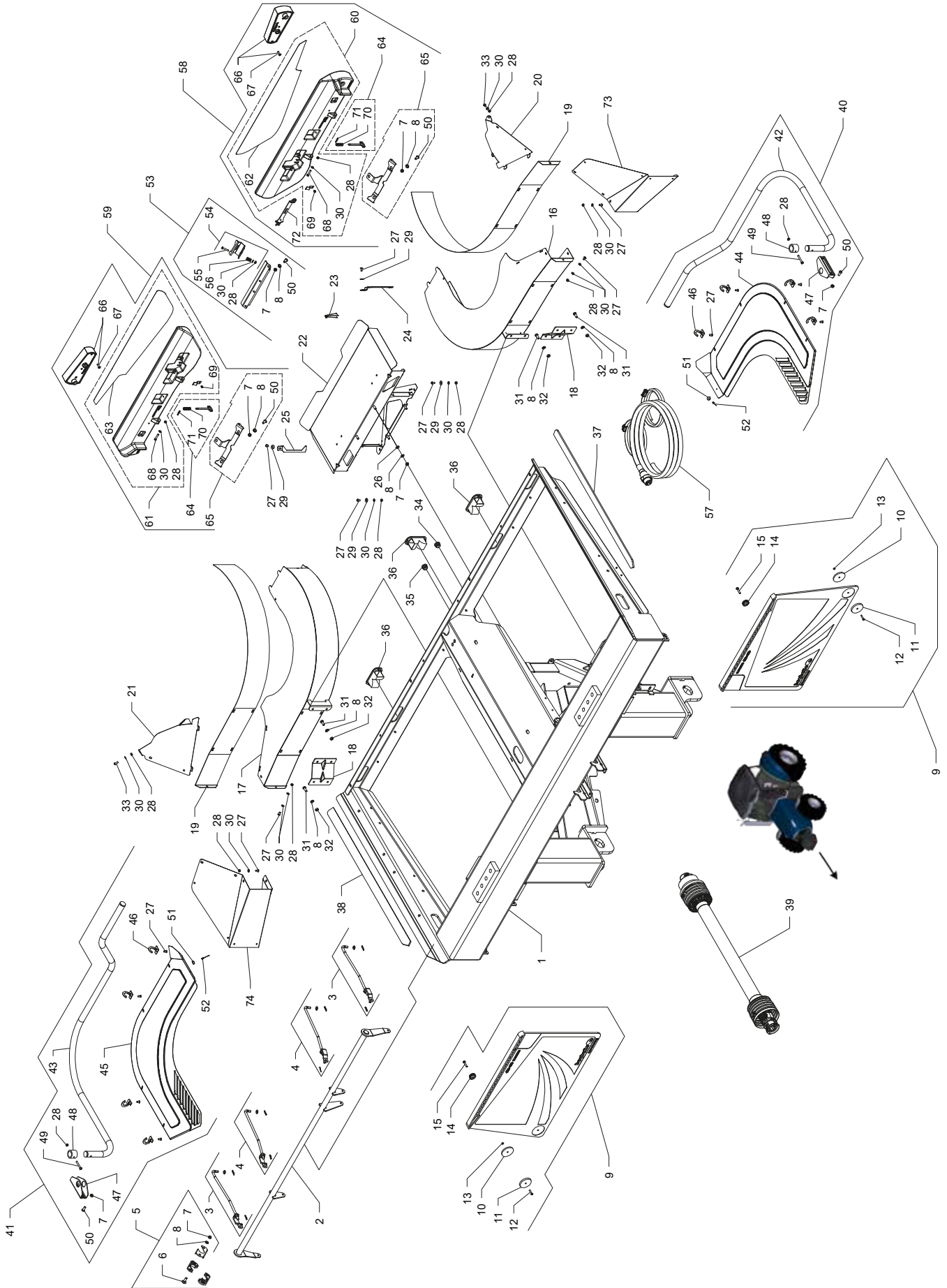
BXL 1300

| | |
|----------------------------|----|
| Overview..... | 38 |
| Hydraulic components | 40 |

Notes

| | |
|-------------|----|
| Notes | 64 |
|-------------|----|

Chassis



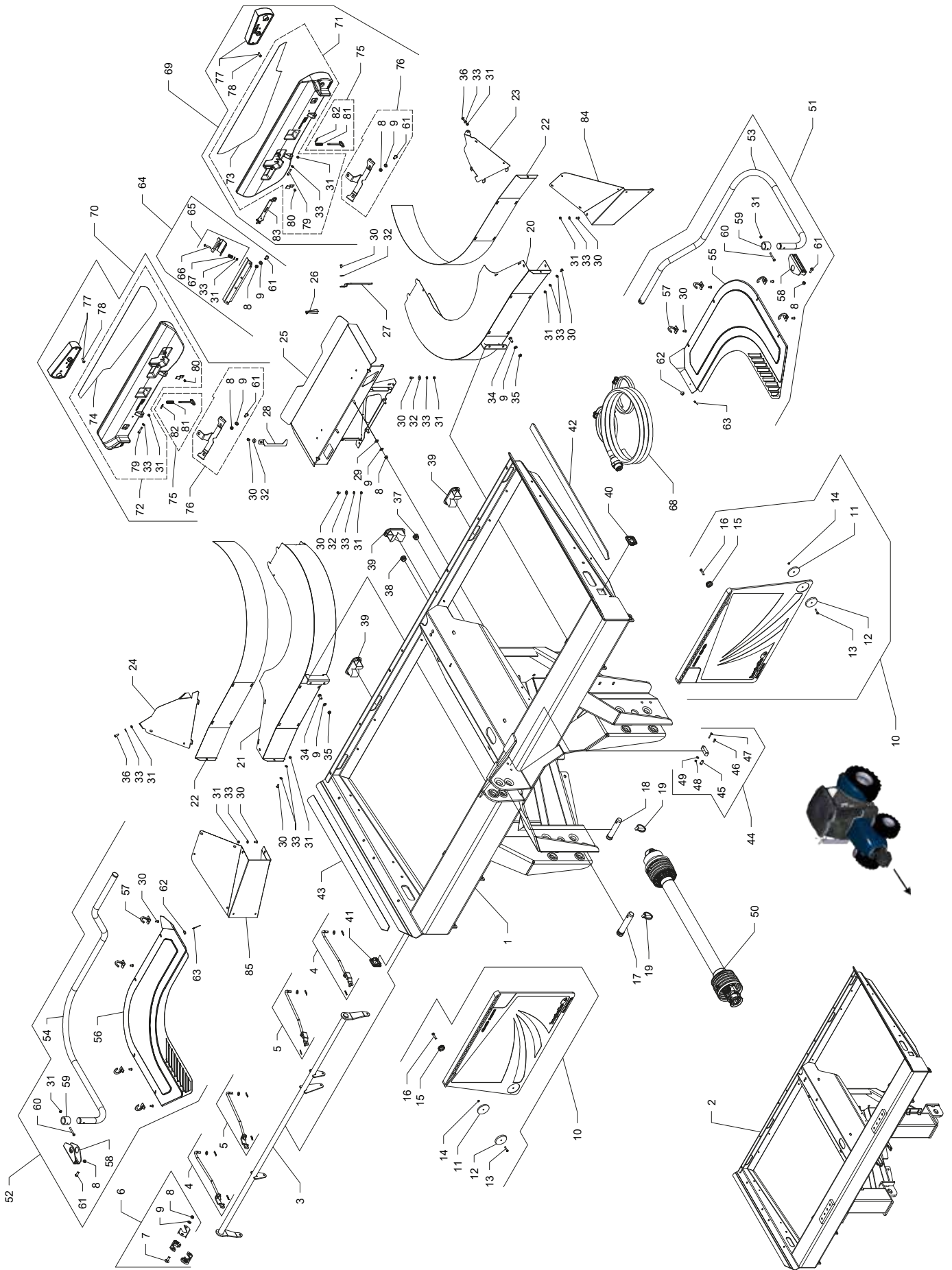
Chassis

| Pos | Qty | Part no | Notes | Pos | Qty | Part no | Notes |
|-----|-----|---------|--------------------------------|-----|-----|---------|---------------------------|
| 1 | 1 | 6420-51 | Frame M60W | 51 | 2 | N/A | Cover H7,1/D15,9/Ø3,2 |
| 2 | 1 | 6340-01 | Adjustment shaft M-line | 52 | 2 | N/A | Rivet Ø3,2x6,4 |
| 3 | 2 | 6341-05 | Connection rod, big shutter | 53 | 1 | 6231-55 | Fitting w/lock compl. |
| 4 | 2 | 6341-06 | Connection rod, small shutter | 54 | 1 | 6231-58 | Lock f/pipe, compl. |
| 5 | 4 | 6340-05 | Plastic bearing w/bolts | 55 | 1 | 9961-33 | Button head M6x30mm, A2 |
| 6 | 8 | 9962-17 | Carriage bolt M8x25mm, A2 | 56 | 1 | N/A | Spring 2,5x13,5x20,5x5,5V |
| 7 | 22 | 9969-32 | Lock nut M8 w/nylon A2 | 57 | 1 | 6930-22 | Wire net f/light L/M-line |
| 8 | 26 | 9930-32 | Washer 8,4x16x1,6mm, A2 | 58 | 1 | 6233-11 | Rear lights (LED), left |
| 9 | 2 | 6375-00 | Mud guard w/reflector, Dual | 59 | 1 | 6233-12 | Rear lights (LED), right |
| 10 | 2 | 9943-26 | Reflector D R86 dia.60mm red | 60 | 1 | 6233-21 | Reflector support, left |
| 11 | 2 | 9943-27 | Reflector D R86 dia.60mm white | 61 | 1 | 6233-22 | Reflector support, right |
| 12 | 2 | 9929-19 | Screw M5x25mm, A2 | 62 | 1 | 6233-31 | Reflector rep, left |
| 13 | 2 | 9968-79 | Nut M5, A2 | 63 | 1 | 6233-32 | Reflector rep, right |
| 14 | 2 | 9990-43 | Handwheel dia. 31 for M6 nut | 64 | 2 | 6233-25 | Lock f/light w/spring |
| 15 | 2 | 9961-23 | Screw M6x30mm, A2 | 65 | 2 | 6233-24 | Light support w/bolt |
| 16 | 1 | 6371-41 | Guard f/disc Dual, left | 66 | 2 | 6233-23 | LED light w/bolt |
| 17 | 1 | 6371-42 | Guard f/disc Dual, right | 67 | 4 | 9961-27 | Button head M6x20mm, A2 |
| 18 | 2 | 6471-01 | Fitting for guard | 68 | 4 | 9961-06 | Cap screw M6x30mm A2 |
| 19 | 2 | 6371-10 | Loose plate f/guard M-line | 69 | 2 | N/A | Screw 4x8mm TX20, A2 |
| 20 | 1 | 6371-55 | Plate Dual, left | 70 | 2 | N/A | Spring 1x11x37mm, A2 |
| 21 | 1 | 6371-56 | Plate Dual, right | 71 | 2 | 9934-31 | Lock spring 1,75/94mm |
| 22 | 1 | 6372-41 | V-distributor Dual | 72 | 1 | 6312-45 | Multi-tool |
| 23 | 1 | 6372-15 | Flair for distributor | 73 | 1 | 6930-97 | Guard M-line Dual, left |
| 24 | 1 | 6372-10 | Guideplate V-distributor left | 74 | 1 | 6930-98 | Guard M-line Dual, right |
| 25 | 1 | 6372-11 | Guideplate V-distributor right | | | | |
| 26 | 4 | 9930-51 | Nylon washer 8,4x17x1,6mm | | | | |
| 27 | 22 | 9961-20 | Button head M6x12mm, A2 | | | | |
| 28 | 21 | 9969-16 | Lock nut M6 w/nylon A2 | | | | |
| 29 | 4 | 9930-03 | Washer 6,4x18x1,6mm, A2 | | | | |
| 30 | 21 | 9930-02 | Washer 6,2x12,5x1,6mm, A2 | | | | |
| 31 | 8 | 9962-04 | Screw M8x20mm, A2 | | | | |
| 32 | 8 | 9969-31 | Nut M8, A2 | | | | |
| 33 | 2 | 9961-21 | Button head M6x16mm, A2 | | | | |
| 34 | 1 | 9990-08 | Blind plug f. 3/4" tube | | | | |
| 35 | 1 | 6350-12 | Sleeve for tension rod | | | | |
| 36 | 3 | 6229-20 | Deflector for flush holes | | | | |
| 37 | 1 | 6310-13 | Tightening left | | | | |
| 38 | 1 | 6310-14 | Tightening right | | | | |
| 39 | 1 | 9985-40 | PTO 810mm w/free wheeling | | | | |
| 40 | 1 | 6231-42 | Protection guard set, left | | | | |
| 41 | 1 | 6231-43 | Protection guard set, right | | | | |
| 42 | 1 | 6231-45 | Safety guard M-line Dual left | | | | |
| 43 | 1 | 6231-46 | Safety guard M-line Dual right | | | | |
| 44 | 1 | 6231-49 | Protection guard, Left | | | | |
| 45 | 1 | 6231-50 | Protection guard, Right | | | | |
| 46 | 8 | 6231-52 | Support f/Protection guard | | | | |
| 47 | 2 | 6231-47 | Pivot mounting | | | | |
| 48 | 2 | 6231-48 | Bush f/pivot mounting | | | | |
| 49 | 2 | 9960-08 | Bolt M6x45mm, A2 | | | | |
| 50 | 10 | 9913-50 | Button head M8x20mm, A2 | | | | |

N/A = Not available

0411-70 0420

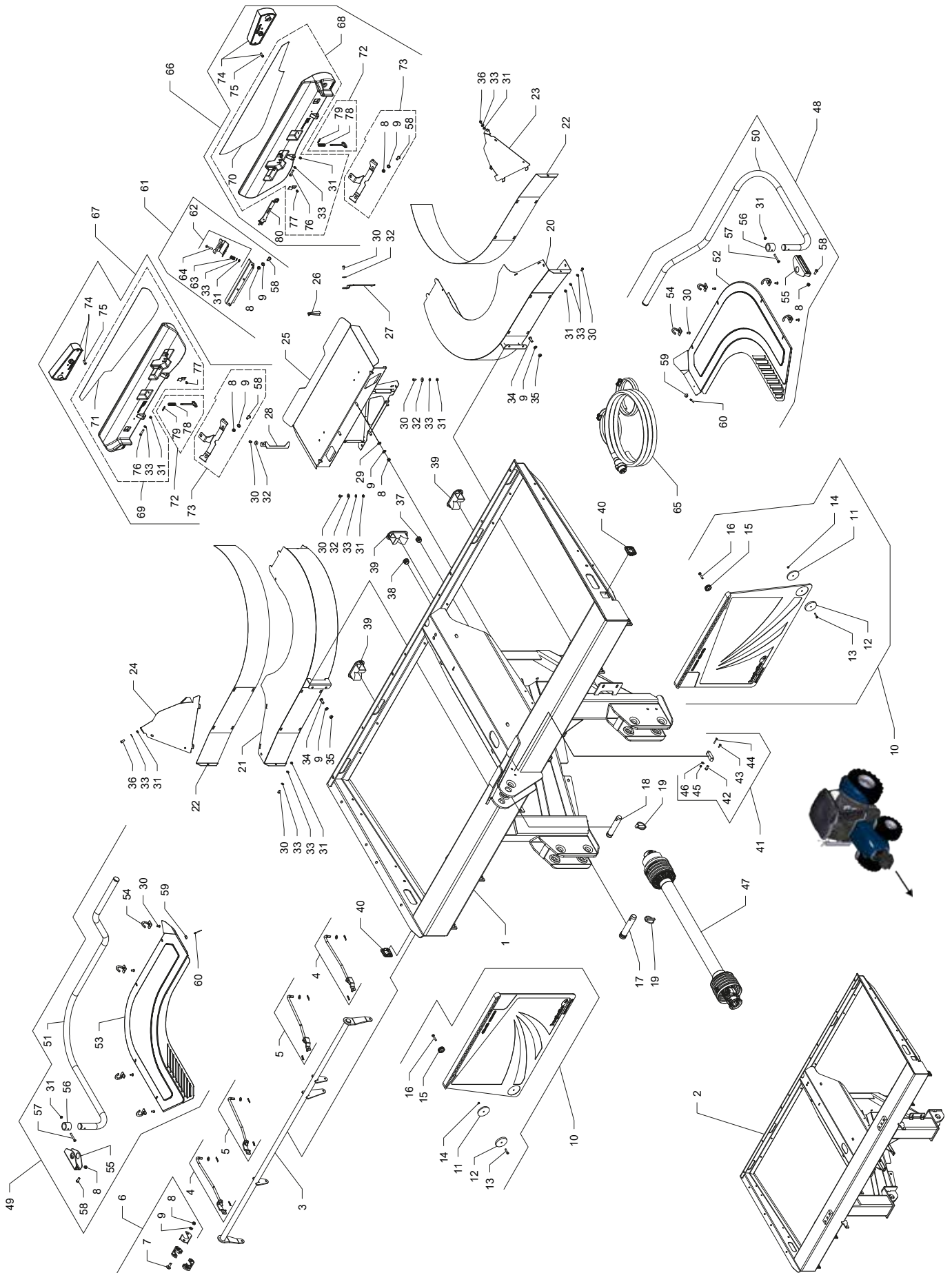
Chassis



Chassis

| Pos | Qty | Part no | Notes | Pos | Qty | Part no | Notes |
|-----|-----|---------|--------------------------------|-----|-----|---------|--------------------------------|
| 1 | 1 | 6320-41 | Frame M45 | 51 | 1 | 6231-42 | Protection guard set, left |
| 2 | 1 | 6320-51 | Frame M45W | 52 | 1 | 6231-43 | Protection guard set, right |
| 3 | 1 | 6340-01 | Adjustment shaft M-line | 53 | 1 | 6231-45 | Safety guard M-line Dual left |
| 4 | 2 | 6341-05 | Connection rod, big shutter | 54 | 1 | 6231-46 | Safety guard M-line Dual right |
| 5 | 2 | 6341-06 | Connection rod, small shutter | 55 | 1 | 6231-49 | Protection guard, Left |
| 6 | 4 | 6340-05 | Plastic bearing w/bolts | 56 | 1 | 6231-50 | Protection guard, Right |
| 7 | 8 | 9962-17 | Carriage bolt M8x25mm, A2 | 57 | 8 | 6231-52 | Support f/Protection guard |
| 8 | 22 | 9969-32 | Lock nut M8 w/nylon A2 | 58 | 2 | 6231-47 | Pivot mounting |
| 9 | 22 | 9930-32 | Washer 8,4x16x1,6mm, A2 | 59 | 2 | 6231-48 | Bush f/pivot mounting |
| 10 | 2 | 6375-00 | Mud guard w/reflector, Dual | 60 | 2 | 9960-08 | Bolt M6x45mm, A2 |
| 11 | 2 | 9943-26 | Reflector D R86 dia.60mm red | 61 | 10 | 9913-50 | Button head M8x20mm, A2 |
| 12 | 2 | 9943-27 | Reflector D R86 dia.60mm white | 62 | 2 | N/A | Cover H7,1/D15,9/Ø3,2 |
| 13 | 2 | 9929-19 | Screw M5x25mm, A2 | 63 | 2 | N/A | Rivet Ø3,2x6,4 |
| 14 | 2 | 9968-79 | Nut M5, A2 | 64 | 1 | 6231-55 | Fitting w/lock compl. |
| 15 | 2 | 9990-43 | Handwheel dia. 31 for M6 nut | 65 | 1 | 6231-58 | Lock f/pipe, compl. |
| 16 | 2 | 9961-23 | Screw M6x30mm, A2 | 66 | 1 | 9961-33 | Button head M6x30mm, A2 |
| 17 | 2 | 6320-03 | Lower link pin, dia. 28x100mm | 67 | 1 | N/A | Spring 2,5x13,5x20,5x5,5V |
| 18 | 1 | 6320-04 | Top link pin, dia. 25x97mm | 68 | 1 | 6930-22 | Wire net f/light L/M-line |
| 19 | 3 | 9938-74 | Linch pin 10x45mm | 69 | 1 | 6233-11 | Rear lights (LED), left |
| 20 | 1 | 6371-41 | Guard f/disc Dual, left | 70 | 1 | 6233-12 | Rear lights (LED), right |
| 21 | 1 | 6371-42 | Guard f/disc Dual, right | 71 | 1 | 6233-21 | Reflector support, left |
| 22 | 2 | 6371-10 | Loose plate f/guard M-line | 72 | 1 | 6233-22 | Reflector support, right |
| 23 | 1 | 6371-55 | Plate Dual, left | 73 | 1 | 6233-31 | Reflector rep, left |
| 24 | 1 | 6371-56 | Plate Dual, right | 74 | 1 | 6233-32 | Reflector rep, right |
| 25 | 1 | 6372-41 | V-distributor Dual | 75 | 2 | 6233-25 | Lock f/light w/spring |
| 26 | 1 | 6372-15 | Flair for distributor | 76 | 2 | 6233-24 | Light support w/bolt |
| 27 | 1 | 6372-10 | Guideplate V-distributor left | 77 | 2 | 6233-23 | LED light w/bolt |
| 28 | 1 | 6372-11 | Guideplate V-distributor right | 78 | 4 | 9961-27 | Button head M6x20mm, A2 |
| 29 | 4 | 9930-51 | Nylon washer 8,4x17x1,6mm | 79 | 4 | 9961-06 | Cap screw M6x30mm A2 |
| 30 | 22 | 9961-20 | Button head M6x12mm, A2 | 80 | 2 | N/A | Screw 4x8mm TX20, A2 |
| 31 | 21 | 9969-16 | Lock nut M6 w/nylon A2 | 81 | 2 | N/A | Spring 1x11x37mm, A2 |
| 32 | 4 | 9930-03 | Washer 6,4x18x1,6mm, A2 | 82 | 2 | 9934-31 | Lock spring 1,75/94mm |
| 33 | 21 | 9930-02 | Washer 6,2x12,5x1,6mm, A2 | 83 | 1 | 6312-45 | Multi-tool |
| 34 | 4 | 9962-04 | Screw M8x20mm, A2 | 84 | 1 | 6930-97 | Guard M-line Dual, left |
| 35 | 4 | 9969-31 | Nut M8, A2 | 85 | 1 | 6930-98 | Guard M-line Dual, right |
| 36 | 2 | 9961-21 | Button head M6x16mm, A2 | | | | |
| 37 | 1 | 9990-08 | Blind plug f. 3/4" tube | | | | |
| 38 | 1 | 6350-12 | Sleeve for tension rod | | | | |
| 39 | 3 | 6229-20 | Deflector for flush holes | | | | |
| 40 | 2 | 6329-21 | Plastic insert 35x35x6mm | | | | |
| 41 | 2 | 6229-21 | Plastic insert 35x35x5mm | | | | |
| 42 | 1 | 6310-13 | Tightening left | | | | |
| 43 | 1 | 6310-14 | Tightening right | | | | |
| 44 | 1 | 6381-31 | Reference spirit level kit | | | | |
| 45 | 1 | 6381-32 | Pin f/reference spirit level | | | | |
| 46 | 1 | 9960-02 | Countersunk screw M4x16mm, A2 | | | | |
| 47 | 1 | 9960-05 | Countersunk screw M4x30mm, A2 | | | | |
| 48 | 1 | 9969-28 | Lock nut M4 w/nylon A2 | | | | |
| 49 | 1 | 9930-38 | Washer 4,3x12x1mm, A2 | | | | |
| 50 | 1 | 9985-40 | PTO 810mm w/free wheeling | | | | |

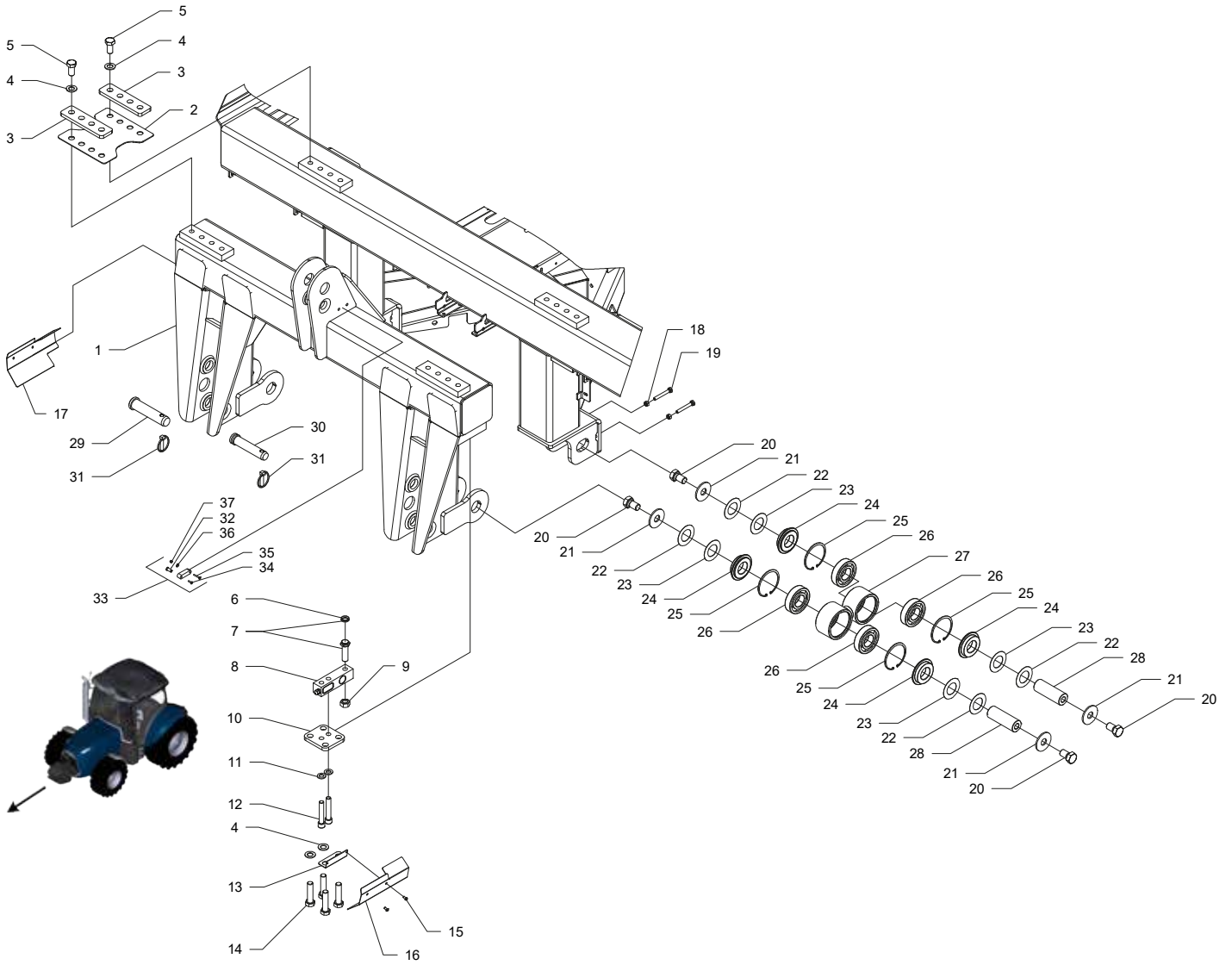
Chassis



Chassis

| Pos | Qty | Part no | Notes | Pos | Qty | Part no | Notes |
|-----|-----|---------|--------------------------------|-----|-----|---------|--------------------------------|
| 1 | 1 | 6220-41 | Frame M35 | 51 | 1 | 6231-46 | Safety guard M-line Dual right |
| 2 | 1 | 6220-51 | Frame M35W | 52 | 1 | 6231-49 | Protection guard, Left |
| 3 | 1 | 6340-01 | Adjustment shaft M-line | 53 | 1 | 6231-50 | Protection guard, Right |
| 4 | 2 | 6341-05 | Connection rod, big shutter | 54 | 8 | 6231-52 | Support f/Protection guard |
| 5 | 2 | 6341-06 | Connection rod, small shutter | 55 | 2 | 6231-47 | Pivot mounting |
| 6 | 4 | 6340-05 | Plastic bearing w/bolts | 56 | 2 | 6231-48 | Bush f/pivot mounting |
| 7 | 8 | 9962-17 | Carriage bolt M8x25mm, A2 | 57 | 2 | 9960-08 | Bolt M6x45mm, A2 |
| 8 | 22 | 9969-32 | Lock nut M8 w/nylon A2 | 58 | 10 | 9913-50 | Button head M8x20mm, A2 |
| 9 | 22 | 9930-32 | Washer 8,4x16x1,6mm, A2 | 59 | 2 | N/A | Cover H7,1/D15,9/Ø3,2 |
| 10 | 2 | 6375-00 | Mud guard w/reflector, Dual | 60 | 2 | N/A | Rivet Ø3,2x6,4 |
| 11 | 2 | 9943-26 | Reflector D R86 dia.60mm red | 61 | 1 | 6231-55 | Fitting w/lock compl. |
| 12 | 2 | 9943-27 | Reflector D R86 dia.60mm white | 62 | 1 | 6231-58 | Lock f/pipe, compl. |
| 13 | 2 | 9929-19 | Screw M5x25mm, A2 | 63 | 1 | N/A | Spring 2,5x13,5x20,5x5,5V |
| 14 | 2 | 9968-79 | Nut M5, A2 | 64 | 1 | 9961-33 | Button head M6x30mm, A2 |
| 15 | 2 | 9990-43 | Handwheel dia. 31 for M6 nut | 65 | 1 | 6930-22 | Wire net f/light L/M-line |
| 16 | 2 | 9961-23 | Screw M6x30mm, A2 | 66 | 1 | 6233-11 | Rear lights (LED), left |
| 17 | 2 | 6320-03 | Lower link pin, dia. 28x100mm | 67 | 1 | 6233-12 | Rear lights (LED), right |
| 18 | 1 | 6320-04 | Top link pin, dia. 25x97mm | 68 | 1 | 6233-21 | Reflector support, left |
| 19 | 3 | 9938-74 | Linch pin 10x45mm | 69 | 1 | 6233-22 | Reflector support, right |
| 20 | 1 | 6371-41 | Guard f/disc Dual, left | 70 | 1 | 6233-31 | Reflector rep, left |
| 21 | 1 | 6371-42 | Guard f/disc Dual, right | 71 | 1 | 6233-32 | Reflector rep, right |
| 22 | 2 | 6371-10 | Loose plate f/guard M-line | 72 | 2 | 6233-25 | Lock f/light w/spring |
| 23 | 1 | 6371-55 | Plate Dual, left | 73 | 2 | 6233-24 | Light support w/bolt |
| 24 | 1 | 6371-56 | Plate Dual, right | 74 | 2 | 6233-23 | LED light w/bolt |
| 25 | 1 | 6372-41 | V-distributor Dual | 75 | 4 | 9961-27 | Button head M6x20mm, A2 |
| 26 | 1 | 6372-15 | Flair for distributor | 76 | 4 | 9961-06 | Cap screw M6x30mm A2 |
| 27 | 1 | 6372-10 | Guideplate V-distributor left | 77 | 2 | N/A | Screw 4x8mm TX20, A2 |
| 28 | 1 | 6372-11 | Guideplate V-distributor right | 78 | 2 | N/A | Spring 1x11x37mm, A2 |
| 29 | 4 | 9930-51 | Nylon washer 8,4x17x1,6mm | 79 | 2 | 9934-31 | Lock spring 1,75/94mm |
| 30 | 22 | 9961-20 | Button head M6x12mm, A2 | 80 | 1 | 6312-45 | Multi-tool |
| 31 | 21 | 9969-16 | Lock nut M6 w/nylon A2 | | | | |
| 32 | 4 | 9930-03 | Washer 6,4x18x1,6mm, A2 | | | | |
| 33 | 21 | 9930-02 | Washer 6,2x12,5x1,6mm, A2 | | | | |
| 34 | 4 | 9962-04 | Screw M8x20mm, A2 | | | | |
| 35 | 4 | 9969-31 | Nut M8, A2 | | | | |
| 36 | 2 | 9961-21 | Button head M6x16mm, A2 | | | | |
| 37 | 1 | 9990-08 | Blind plug f. 3/4" tube | | | | |
| 38 | 1 | 6350-12 | Sleeve for tension rod | | | | |
| 39 | 3 | 6229-20 | Deflector for flush holes | | | | |
| 40 | 4 | 6229-21 | Plastic insert 35x35x5mm | | | | |
| 41 | 1 | 6381-31 | Reference spirit level kit | | | | |
| 42 | 1 | 6381-32 | Pin f/reference spirit level | | | | |
| 43 | 1 | 9960-02 | Countersunk screw M4x16mm, A2 | | | | |
| 44 | 1 | 9960-05 | Countersunk screw M4x30mm, A2 | | | | |
| 45 | 1 | 9969-28 | Lock nut M4 w/nylon A2 | | | | |
| 46 | 1 | 9930-38 | Washer 4,3x12x1mm, A2 | | | | |
| 47 | 1 | 9985-40 | PTO 810mm w/free wheeling | | | | |
| 48 | 1 | 6231-42 | Protection guard set, left | | | | |
| 49 | 1 | 6231-43 | Protection guard set, right | | | | |
| 50 | 1 | 6231-45 | Safety guard M-line Dual left | | | | |

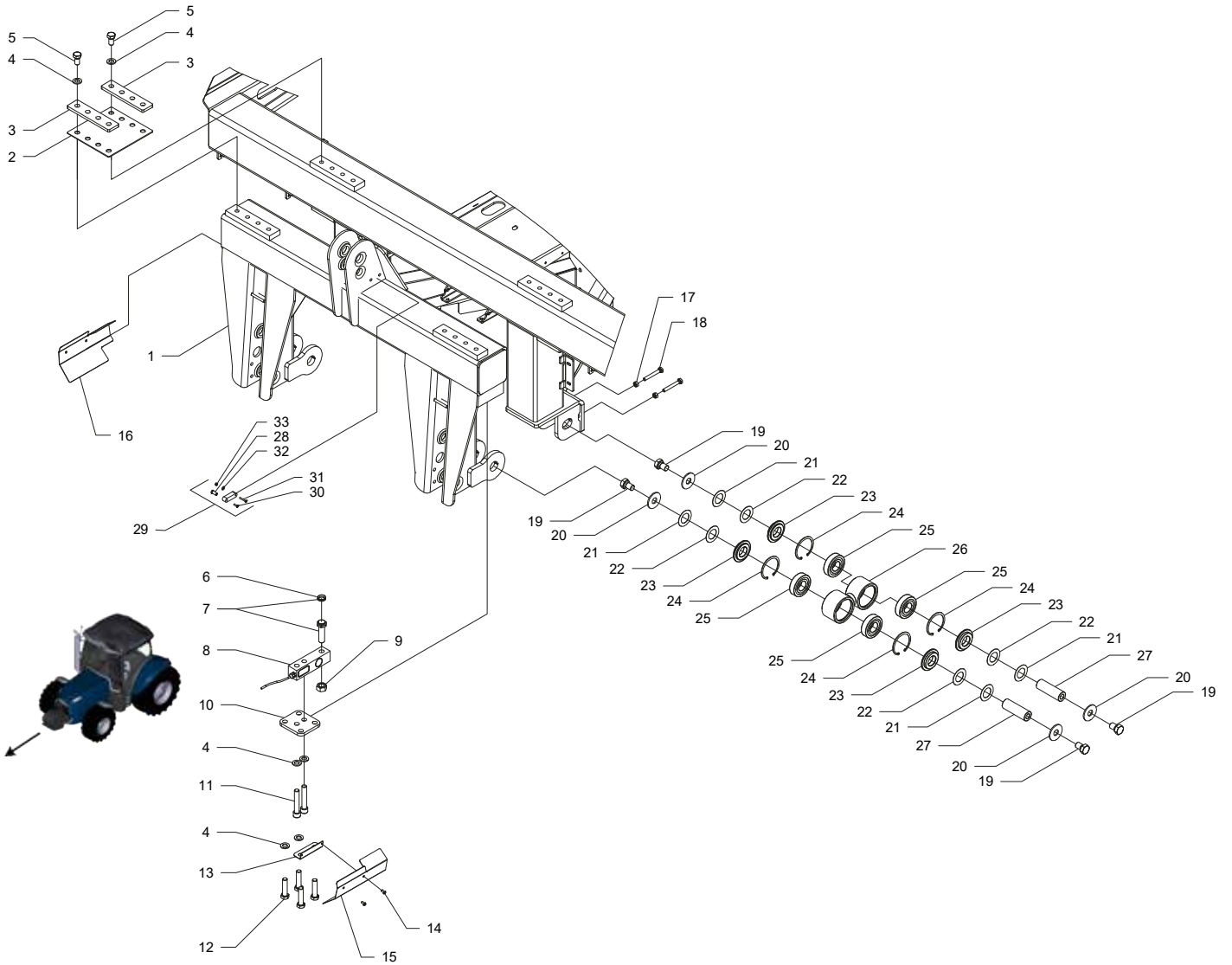
Weighing frame



Weighing frame

| Pos | Qty | Part no | Notes |
|-----|-----|---------|-------------------------------|
| 1 | 1 | 6422-30 | Front frame loose M60W/M6W |
| 2 | 2 | 6420-25 | Spring for frame, M60W/M6W |
| 3 | 4 | 6420-26 | Clamp f/spring M60W/M6W |
| 4 | 20 | 9930-40 | Washer 21x37x3mm, A2 |
| 5 | 16 | 9965-00 | Screw M20x40mm, kl.80 A4 |
| 6 | 2 | 9936-27 | V-ring VA 0022 |
| 7 | 2 | 6320-28 | Bolt f/load cell complete |
| 8 | 2 | 9942-33 | Load cell 6 tonne w/wire |
| 9 | 2 | 9968-97 | Steel nut M20, A2 |
| 10 | 2 | 6422-43 | Clamping plate f/load cell |
| 11 | 4 | 9930-20 | Washer 17x30x3mm, A2 |
| 12 | 4 | 9913-41 | Screw M16x90mm, 12.9 |
| 13 | 2 | 6422-44 | Support f/shield M6W |
| 14 | 8 | 9967-52 | Steel bolt M20x80mm, A2 |
| 15 | 4 | 9961-20 | Button head M6x12mm, A2 |
| 16 | 1 | 6322-46 | Cover plate load cell, left |
| 17 | 1 | 6322-47 | Cover plate load cell, right |
| 18 | 4 | 9969-46 | Nut M10, A2 |
| 19 | 4 | 9963-19 | Screw M10x75mm, A2 |
| 20 | 8 | 9967-61 | Screw M24x40mm, A2 |
| 21 | 8 | 6420-37 | Washer 26x72x5mm |
| 22 | 8 | 6420-35 | Adjusting disc 0,5 mm |
| 23 | 8 | 6420-36 | Adjusting disc 1,0 mm |
| 24 | 8 | 6420-34 | End washer f/bearing |
| 25 | 8 | 9937-50 | Locking ring I 100 |
| 26 | 8 | 9950-06 | Ball bearing 6309 2RS |
| 27 | 2 | 6420-30 | Tilt part M60W/M6W |
| 28 | 4 | 6420-33 | Shaft for tilt part |
| 29 | 2 | 6420-04 | Lower link Pin, Cat. 3 |
| 30 | 1 | 6420-03 | Top link Pin, cat. 3 125 mm |
| 31 | 3 | 9938-75 | Linch Pin 11x50mm |
| 32 | 1 | 6381-32 | Pin f. reference spirit level |
| 33 | 1 | 6381-31 | Reference spirit level kit |
| 34 | 1 | 9960-02 | Countersunk screw M4x16mm, A2 |
| 35 | 1 | 9960-05 | Countersunk screw M4x30mm, A2 |
| 36 | 1 | 9930-38 | Washer 4,3x12x1mm, A2 |
| 37 | 1 | 9969-28 | Lock nut M4 w/nylon A2 |

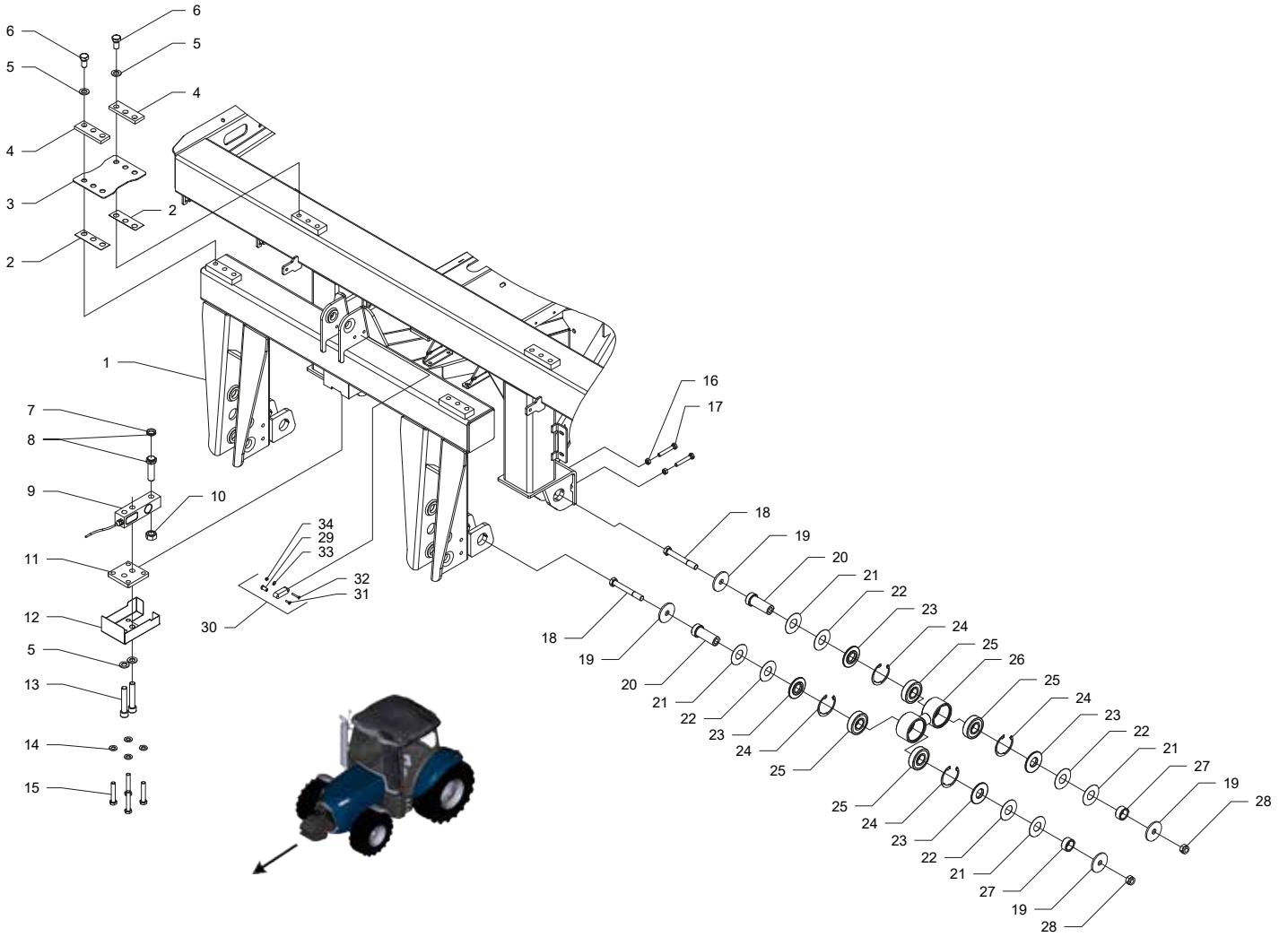
Weighing frame



Weighing frame

| Pos | Qty | Part no | Notes |
|-----|-----|---------|-------------------------------|
| 1 | 1 | 6322-30 | Front frame loose M45W/M3W |
| 2 | 2 | 6320-25 | Spring for frame, M45W/M3W |
| 3 | 4 | 6320-26 | Clamp f/spring M45W/M3W |
| 4 | 24 | 9930-20 | Washer 17x30x3mm, A2 |
| 5 | 16 | 9964-71 | Screw M16x30mm, kl.80 A4 |
| 6 | 2 | 9936-27 | V-ring VA 0022 |
| 7 | 2 | 6320-28 | Bolt f/load cell complete |
| 8 | 2 | 9942-33 | Load cell 6 tonne w/wire |
| 9 | 2 | 9968-97 | Steel nut M20, A2 |
| 10 | 2 | 6322-43 | Clamping plate f/load cell |
| 11 | 4 | 9913-41 | Screw M16x90mm, 12.9 |
| 12 | 8 | 9964-77 | Steel bolt M16x65mm, A2 |
| 13 | 2 | 6322-45 | Fitting for cover plate |
| 14 | 4 | 9961-20 | Button head M6x12mm, A2 |
| 15 | 1 | 6322-46 | Cover plate load cell, left |
| 16 | 1 | 6322-47 | Cover plate load cell, right |
| 17 | 4 | 9969-46 | Nut M10, A2 |
| 18 | 4 | 9963-19 | Screw M10x75mm, A2 |
| 19 | 8 | 9964-98 | Screw M20x30mm, A2 |
| 20 | 8 | 9930-15 | Washer 22x58,5x4mm, A2 |
| 21 | 8 | 6320-34 | Adjusting disc 0,5mm |
| 22 | 8 | 6320-35 | Adjusting disc 1mm |
| 23 | 8 | 6320-33 | End washer f/bearing |
| 24 | 8 | 9937-48 | Locking ring I 80 |
| 25 | 8 | 9950-07 | Ball bearing 6307-2RS |
| 26 | 2 | 6320-30 | Tilt part M45W/M3W |
| 27 | 4 | 6320-32 | Shaft for tilt part |
| 28 | 1 | 6381-32 | Pin f. reference spirit level |
| 29 | 1 | 6381-31 | Reference spirit level kit |
| 30 | 1 | 9960-02 | Countersunk screw M4x16mm, A2 |
| 31 | 1 | 9960-05 | Countersunk screw M4x30mm, A2 |
| 32 | 1 | 9930-38 | Washer 4,3x12x1mm, A2 |
| 33 | 1 | 9969-28 | Lock nut M4 w/nylon A2 |

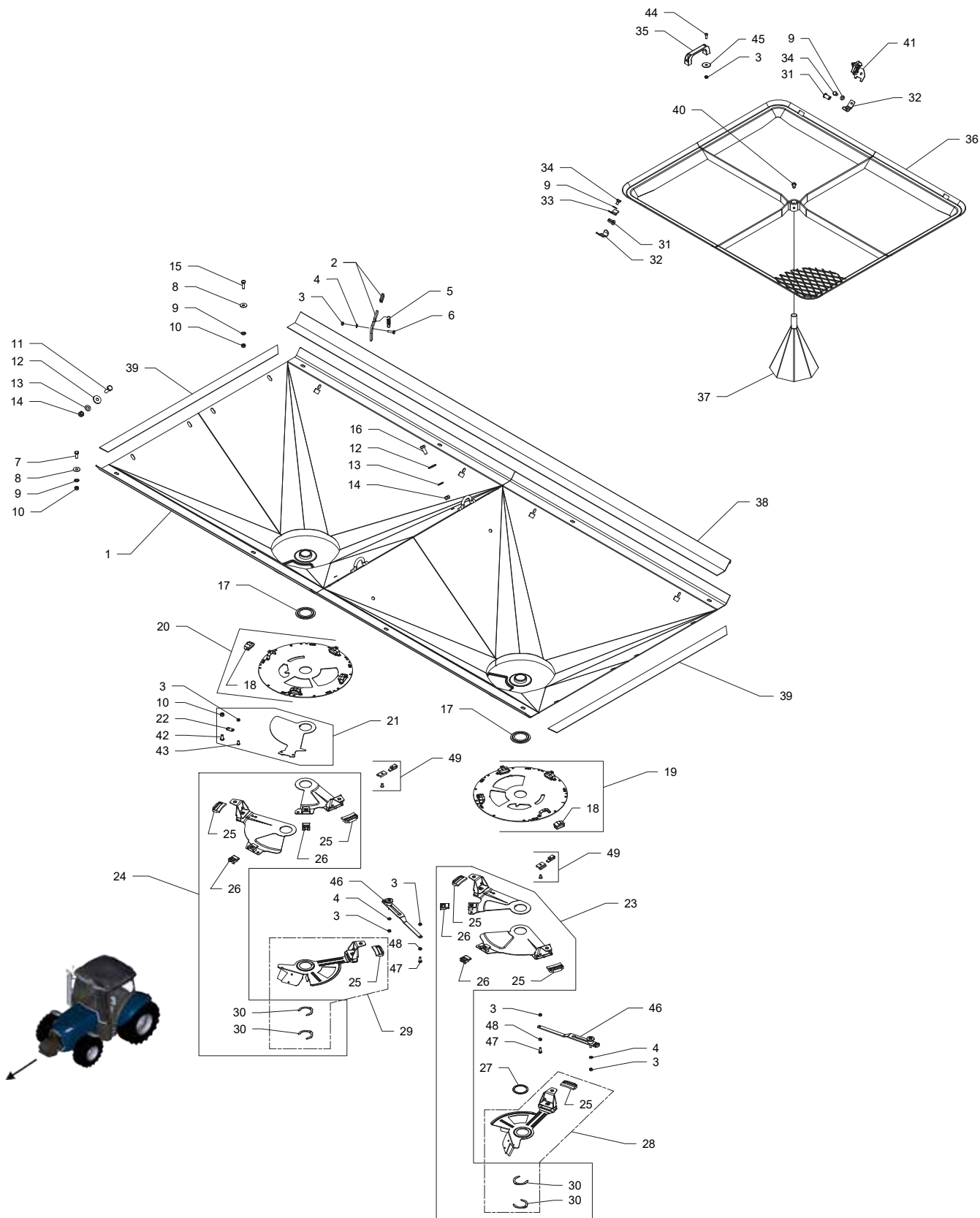
Weighing frame



Weighing frame

| Pos | Qty | Part no | Notes |
|-----|-----|---------|-------------------------------|
| 1 | 1 | 6222-30 | Front frame loose M35W/M2W |
| 2 | 4 | 6220-27 | Friction plate for spring |
| 3 | 2 | 6220-25 | Spring for frame, M35W/M2W |
| 4 | 4 | 6220-26 | Clamp f/spring M35W/M2W |
| 5 | 14 | 9930-20 | Washer 17x30x3mm, A2 |
| 6 | 12 | 9964-71 | Screw M16x30mm, kl.80 A4 |
| 7 | 1 | 9936-27 | V-ring VA 0022 |
| 8 | 1 | 6320-28 | Bolt f/load cell complete |
| 9 | 1 | 9942-33 | Load cell 6 tonne w/wire |
| 10 | 1 | 9968-97 | Steel nut M20, A2 |
| 11 | 1 | 6222-43 | Clamping plate f/load cell |
| 12 | 1 | 4522-40 | Protection sheet f/load cell |
| 13 | 2 | 9913-41 | Screw M16x90mm, 12.9 |
| 14 | 4 | 9930-35 | Washer 13x24x2,5mm, A2 |
| 15 | 4 | 9966-52 | Bolt M12x70, 10.9 |
| 16 | 4 | 9969-46 | Nut M10, A2 |
| 17 | 4 | 9963-18 | Screw M10x65mm, A2 |
| 18 | 4 | 9964-79 | Steel bolt M16x120mm, A2 |
| 19 | 8 | 6220-34 | Washer |
| 20 | 4 | 6220-35 | Shaft for tilt part |
| 21 | 8 | 6220-38 | Adjusting disc 0,5mm |
| 22 | 8 | 6220-37 | Adjusting disc 1mm |
| 23 | 8 | 6220-33 | End washer f/bearing |
| 24 | 8 | 9937-45 | Locking ring I 72 |
| 25 | 8 | 9950-05 | Ball bearing 6306-2RS |
| 26 | 2 | 6220-30 | Tilt part M35W/M2W |
| 27 | 4 | 6220-36 | Bush for shaft |
| 28 | 4 | 9969-84 | Lock nut M16 w/nylon A2 |
| 29 | 1 | 6381-32 | Pin f. reference spirit level |
| 30 | 1 | 6381-31 | Reference spirit level kit |
| 31 | 1 | 9960-02 | Countersunk screw M4x16mm, A2 |
| 32 | 1 | 9960-05 | Countersunk screw M4x30mm, A2 |
| 33 | 1 | 9930-38 | Washer 4,3x12x1mm, A2 |
| 34 | 1 | 9969-28 | Lock nut M4 w/nylon A2 |

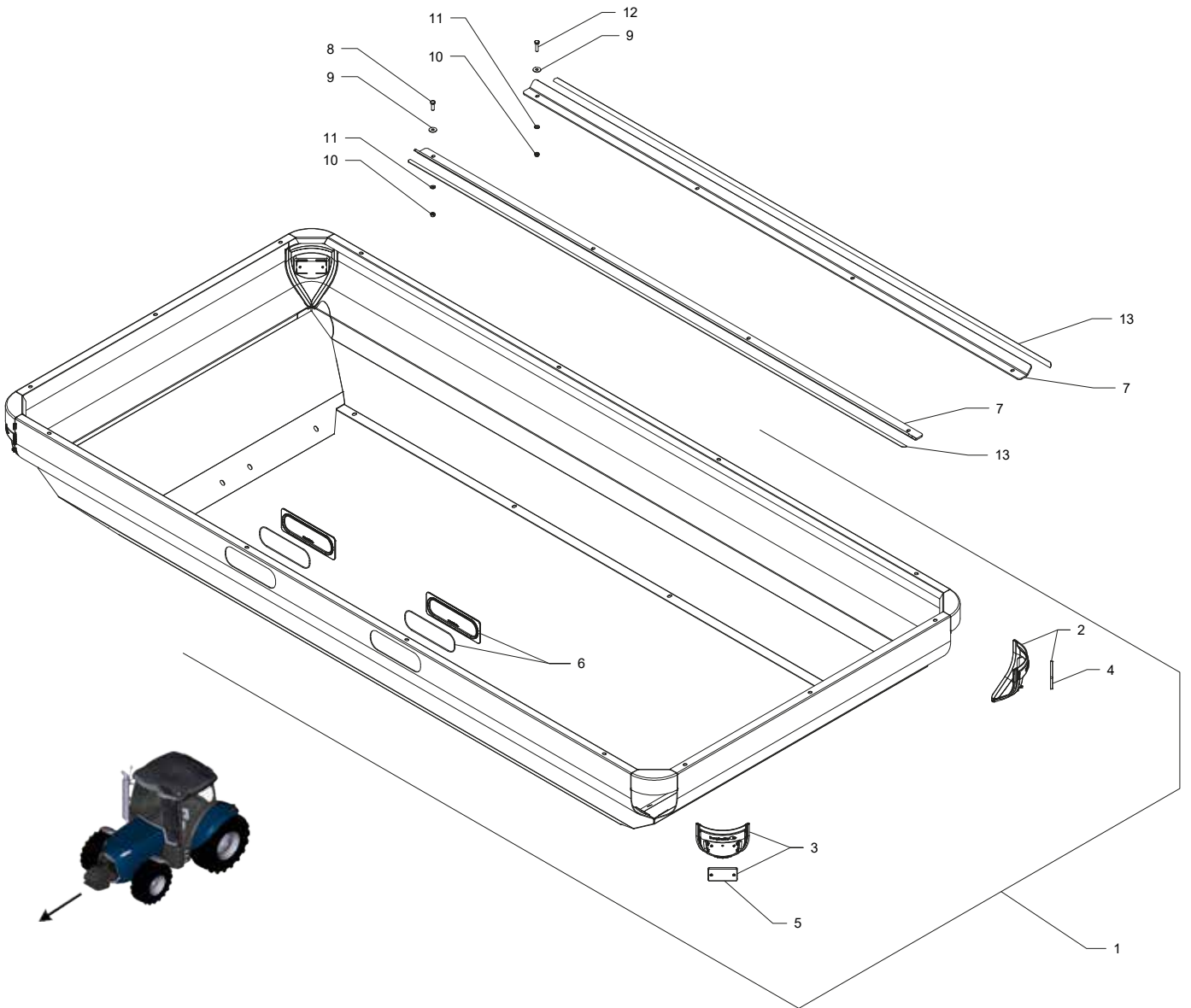
Hopper with outlet shutters



Hopper with outlet shutters

| Pos | Qty | Part no | Notes |
|-----|-----|---------|--------------------------------|
| 1 | 1 | 6310-45 | Hopper M-line Dual |
| 2 | 2 | 6310-51 | Lock handel, Dual |
| 3 | 11 | 9969-16 | Lock nut M6 w/nylon A2 |
| 4 | 4 | 9930-02 | Washer 6,2x12,5x1,6mm, A2 |
| 5 | 2 | 9934-13 | Spring 1,5x11x32mm |
| 6 | 2 | 9961-12 | Screw M6x20mm, A2 |
| 7 | 4 | 9962-04 | Screw M8x20mm, A2 |
| 8 | 8 | 9930-31 | Washer 8,4x24x2mm, A2 |
| 9 | 16 | 9930-32 | Washer 8,4x16x1,6mm, A2 |
| 10 | 9 | 9969-32 | Lock nut M8 w/nylon A2 |
| 11 | 8 | 9963-12 | Screw M10x30mm, A2 |
| 12 | 12 | 9930-25 | Washer 10,5x30x2,5mm, A2 |
| 13 | 12 | 9968-44 | Washer 10,5x21x2mm, A2 |
| 14 | 12 | 9969-45 | Lock nut M10 w/nylon A2 |
| 15 | 4 | 9962-05 | Screw M8x25mm, A2 |
| 16 | 4 | 9963-01 | Screw M10x25mm, A2 |
| 17 | 2 | 4512-12 | Disc for bottom plate |
| 18 | 8 | 4512-11 | Sliding block, PA 6 black |
| 19 | 1 | 6312-38 | Turnable plate w/block Dual, L |
| 20 | 1 | 6312-39 | Turnable plate w/block Dual, R |
| 21 | 1 | 6312-65 | Shutter 1side closing cpl.Dual |
| 22 | 1 | 6312-17 | Lochplate f/shutter M-Line |
| 23 | 1 | 6312-53 | Shutter kit Dual, left |
| 24 | 1 | 6312-54 | Shutter kit Dual, right |
| 25 | 6 | 4412-20 | Sliding plate, big |
| 26 | 4 | 4412-21 | Sliding plate, small |
| 27 | 1 | 4012-11 | Washer |
| 28 | 1 | 6312-19 | Shutter SC L cpl. |
| 29 | 1 | 6312-20 | Shutter SC R cpl. |
| 30 | 4 | 4511-06 | Safety lock |
| 31 | 8 | 6313-10 | Plastic hinge f/screen M-line |
| 32 | 8 | 6313-11 | Hinge for screen |
| 33 | 4 | 6313-12 | Stop for hinge, screen |
| 34 | 8 | 9962-19 | Screw M8x12mm, A2 |
| 35 | 2 | 9990-38 | Plastic handle dia.6,5mm,c=94m |
| 36 | 2 | 6313-02 | Screen M-line |
| 37 | 2 | 4016-05 | Relief cone M-line-EX-E-CII |
| 38 | 2 | 6310-03 | Edge band 2225mm M-Line yellow |
| 39 | 2 | 6210-13 | Tightening M35(W)/M2(W), black |
| 40 | 1 | 9962-03 | Screw M8x16mm, A2 |
| 41 | 2 | 6313-30 | Screen lock cpl, M-line |
| 42 | 1 | 9962-26 | Button head M8x16mm, A2 |
| 43 | 1 | 9961-20 | Button head M6x12mm, A2 |
| 44 | 4 | 9961-21 | Button head M6x16mm, A2 |
| 45 | 4 | 9930-30 | Washer 8x30x1.5mm A2 |
| 46 | 2 | 6312-31 | Connecting rod |
| 47 | 2 | 9961-04 | Screw M6x16mm, A2 |
| 48 | 2 | 9969-15 | Nut M6, A2 |
| 49 | 2 | 6312-30 | Dynamic shutter clip kit |

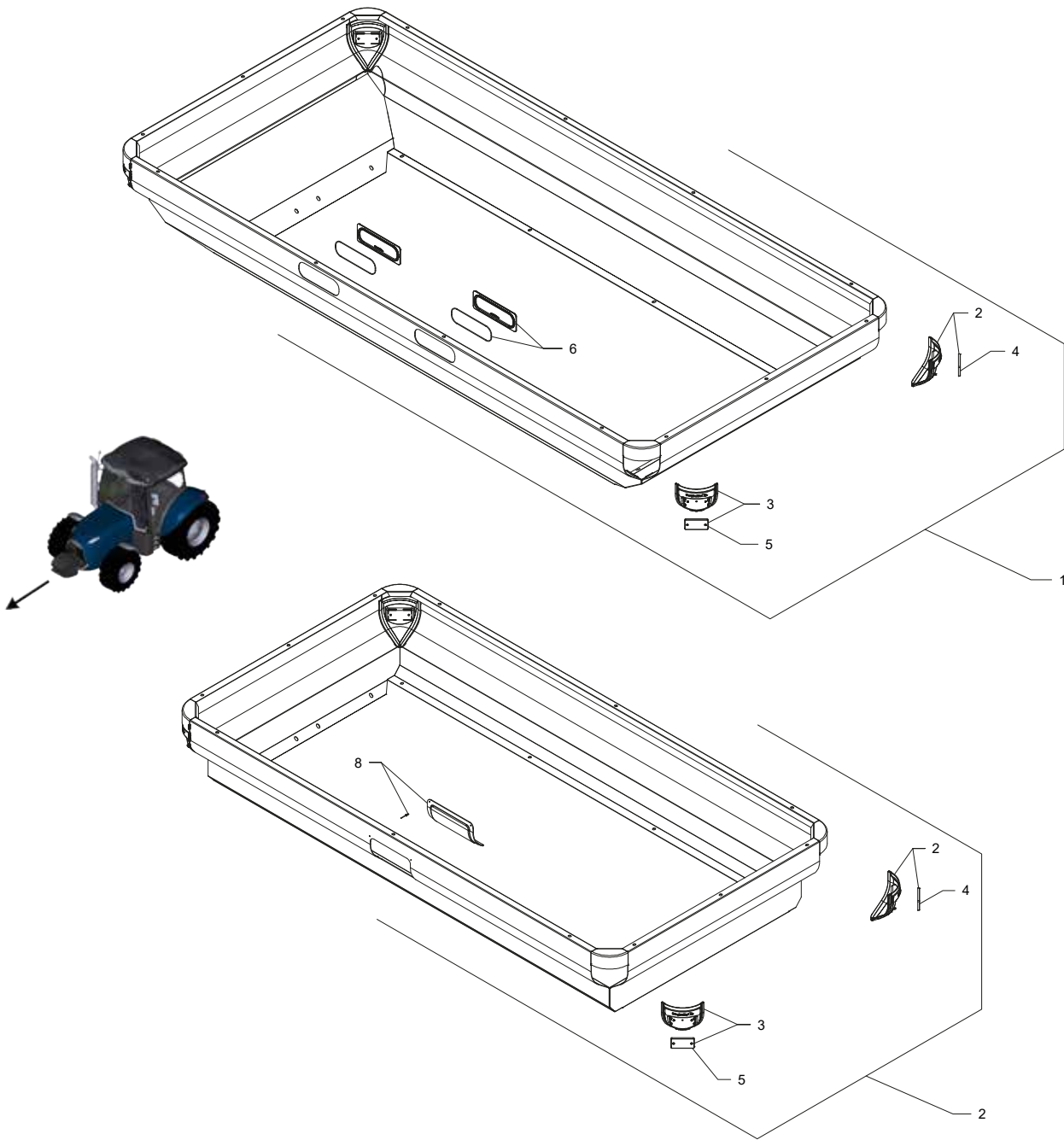
Hopper



Hopper

| Pos | Qty | Part no | Notes |
|-----|-----|---------|--------------------------------|
| 1 | 1 | 6311-15 | Hopper 1800L plus M-line |
| 2 | 2 | 6311-30 | Plastic corner/red reflector |
| 3 | 2 | 6311-31 | Plastic corner/white reflector |
| 4 | 2 | 9943-32 | Reflector red, plasticcorner |
| 5 | 2 | 9943-33 | Reflector white, plasticcorner |
| 6 | 2 | 6311-32 | Pane w/sealing |
| 7 | 2 | 6411-01 | Support for hopper |
| 8 | 4 | 9962-05 | Screw M8x25mm, A2 |
| 9 | 8 | 9930-31 | Washer 8,4x24x2mm, A2 |
| 10 | 8 | 9969-32 | Lock nut M8 w/nylon A2 |
| 11 | 8 | 9930-32 | Washer 8,4x16x1,6mm, A2 |
| 12 | 4 | 9962-15 | Screw M8x30mm, A2 |
| 13 | 2 | 6411-02 | Tightening tape f/support |

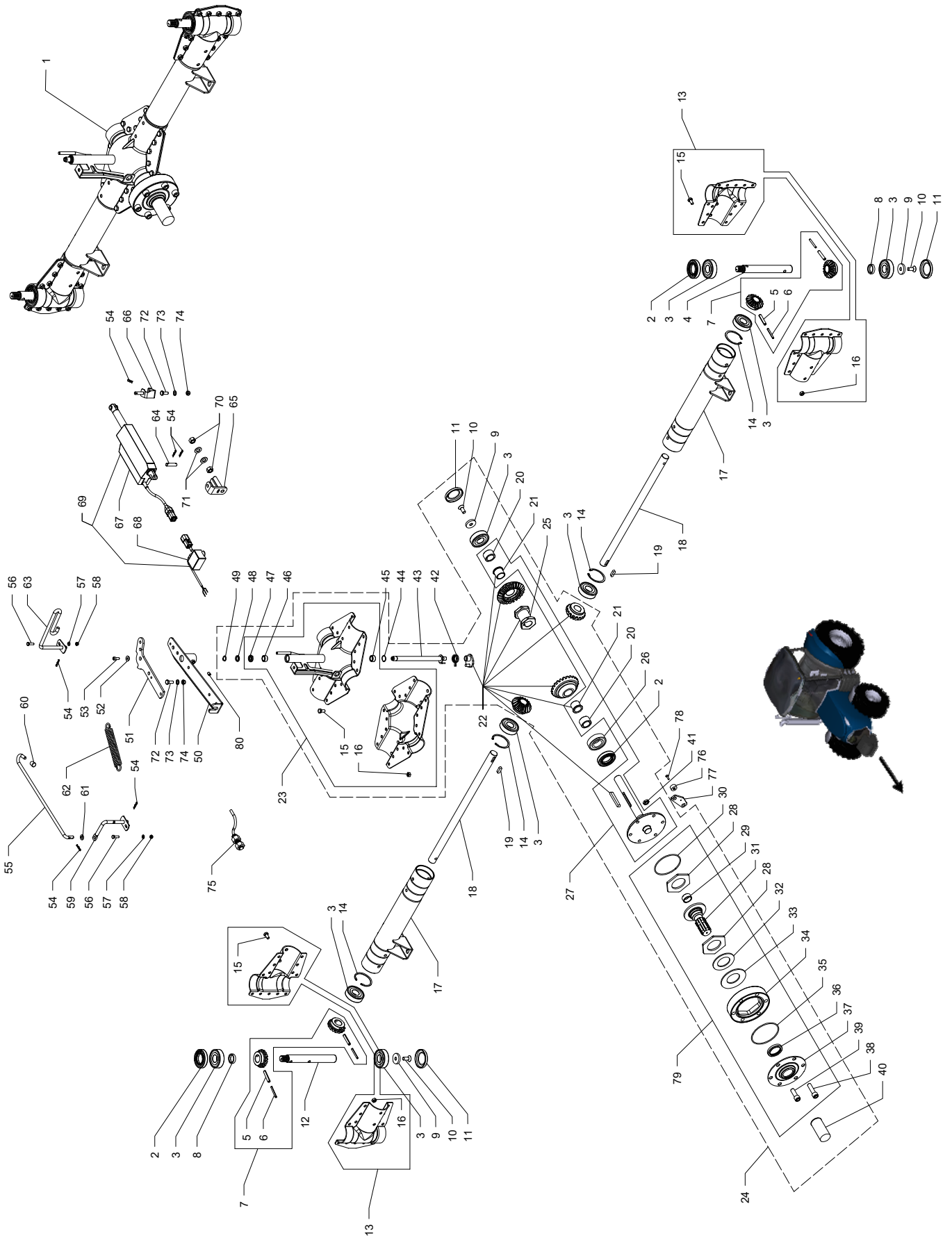
Hopper



Hopper

| Pos | Qty | Part no | Notes |
|-----|-----|---------|--------------------------------|
| 1 | 1 | 6311-15 | Hopper 1800L plus M-line |
| 2 | 1 | 6211-25 | Hopper 1250L base M-line |
| 2 | 2 | 6311-30 | Plastic corner/red reflector |
| 3 | 2 | 6311-31 | Plastic corner/white reflector |
| 4 | 2 | 9943-32 | Reflector red, plasticcorner |
| 5 | 2 | 9943-33 | Reflector white, plasticcorner |
| 6 | 2 | 6311-32 | Pane w/sealing |
| 8 | 1 | 6211-17 | Pane w/pins M-base |

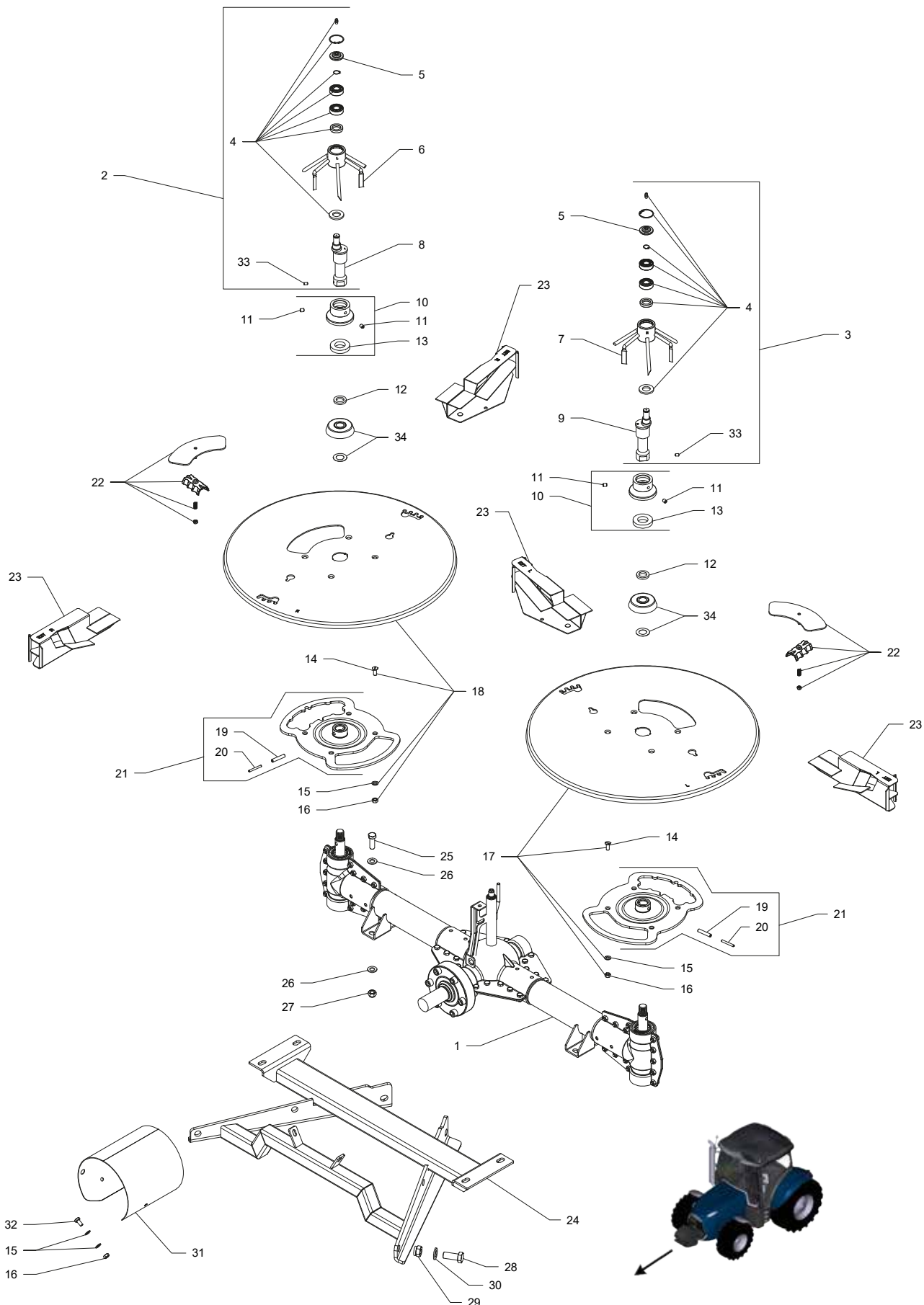
Transmission



Transmission

| Pos | Qty | Part no | Notes | Pos | Qty | Part no | Notes |
|-----|-----|---------|--------------------------------|-----|-----|---------|--------------------------------|
| 1 | 1 | 4750-02 | Transmission M-line-EX Trend | 51 | 1 | 4653-15 | Shift arm f/Trend |
| 2 | 3 | 9936-37 | Tightening ring 35x62x12mm,NBR | 52 | 1 | 9930-07 | Washer 6,4x17x3mm, A2 |
| 3 | 9 | 9950-02 | Ball bearing 6305-2RS | 53 | 1 | 9961-24 | Screw M6x16, A2 kl.70 |
| 4 | 1 | 4155-04 | Exit shaft with right thread | 54 | 6 | 9934-31 | Lock spring 1,75/94mm |
| 5 | 4 | 9933-12 | Tension pin 8x45mm | 55 | 1 | 6350-11 | Pull rod M-line |
| 6 | 4 | 9933-17 | Tension pin 5x45mm | 56 | 2 | 9961-12 | Screw M6x20mm, A2 |
| 7 | 2 | 3265-02 | Gear wheels w/pins | 57 | 2 | 9930-02 | Washer 6,2x12,5x1,6mm, A2 |
| 8 | 2 | 3262-05 | Spacer f/gear wheel | 58 | 2 | 9969-16 | Lock nut M6 w/nylon A2 |
| 9 | 3 | 3260-04 | Washer | 59 | 1 | 6350-08 | Shift arm |
| 10 | 3 | 9963-07 | Countersunk screw M10x25 | 60 | 1 | 9990-26 | Rubberbutton, black DPU 080 01 |
| 11 | 3 | 3260-05 | Lid f/gear box | 61 | 1 | 9930-51 | Nylon washer 8,4x17x1,6mm |
| 12 | 1 | 4062-05 | Exit shaft mk.2, w/left thread | 62 | 1 | 9934-07 | Spring 3,6x25x162mm, A2 |
| 13 | 2 | 4454-05 | Gear housing | 63 | 1 | 4690-05 | Arm for spring |
| 14 | 4 | 9937-40 | Locking ring I 60 | 64 | 1 | 4790-36 | Guide pin for actuator |
| 15 | 46 | 9962-03 | Screw M8x16mm, A2 | 65 | 1 | 4790-43 | Fitting f/actuator,trend shift |
| 16 | 46 | 9969-31 | Nut M8, A2 | 66 | 1 | 4790-47 | U-piece with pin |
| 17 | 2 | 4557-02 | Bearing tube for M-line EXW EX | 67 | 1 | 9942-14 | Actuator LA12 TOTZ (grey) |
| 18 | 2 | 4156-02 | Exit shaft M-line | 68 | 1 | 6387-28 | Single Trend TB |
| 19 | 2 | 9931-56 | Key 8x7x25mm, round | 69 | 1 | 6387-11 | Actuator TB, Single Trend |
| 20 | 2 | 4652-03 | Spacer | 70 | 2 | 9969-60 | Nut M12, A2 |
| 21 | 2 | 4652-08 | Bronze bushing | 71 | 2 | 9930-35 | Washer 13x24x2,5mm, A2 |
| 22 | 1 | 4652-11 | Set of gear wheels | 72 | 2 | 9962-04 | Screw M8x20mm, A2 |
| 23 | 1 | 4660-00 | Gear housing cpl. M-Trend-line | 73 | 2 | 9930-32 | Washer 8,4x16x1,6mm, A2 |
| 24 | 1 | 4750-50 | Trend transmission repair set | 74 | 2 | 9969-32 | Lock nut M8 w/nylon A2 |
| 25 | 1 | 4652-09 | Shift sleeve Trend | 75 | 1 | 9941-34 | Sensor f/Trend-transmission |
| 26 | 1 | 9950-03 | Ball bearing 6206-2RS | 76 | 1 | 9941-04 | Magnet f/sensor |
| 27 | 1 | 4652-01 | Drive shaft w/key and sleeve | 77 | 1 | 4790-38 | Fitting for magnet |
| 28 | 2 | 3263-15 | Clutch part 6-edged NV 80 | 78 | 1 | 9960-02 | Countersunk screw M4x16mm, A2 |
| 29 | 1 | 9990-90 | Bronze bearing 30x25x13mm | 79 | 1 | 3263-10 | Friction clutch cpl. M-L-line |
| 30 | 1 | 9936-10 | O-ring 89,50x3mm, NBR 70 | 80 | 1 | 9913-19 | Socket set screw M8x10mm, A2 |
| 31 | 1 | 3263-11 | 6-groove f/clutch | | | | |
| 32 | 1 | 3263-12 | Divide washer | | | | |
| 33 | 1 | 9931-11 | Disc washer 90x46x3mm | | | | |
| 34 | 1 | 3263-20 | Disc lock for clutch | | | | |
| 35 | 1 | 9936-09 | O-ring 94x3mm, NBR 70 | | | | |
| 36 | 1 | 9936-49 | Tightening ring 38x52x7mm, NBR | | | | |
| 37 | 1 | 3263-13 | Front plate f/clutch | | | | |
| 38 | 2 | 9965-10 | Screw cyl.head M12x45mm, A2 | | | | |
| 39 | 4 | 9965-09 | Screw cyl.head M12x35mm, A2 | | | | |
| 40 | 1 | 9985-84 | PTO protection for 1 3/8" | | | | |
| 41 | 2 | 9928-99 | Counter nut M12, A2 | | | | |
| 42 | 1 | 9934-02 | Torsion spring Trend Quadro | | | | |
| 43 | 1 | 4653-02 | Shaft for excentric | | | | |
| 44 | 1 | 9931-15 | Wave spring 21,8x14x0,3mm, K2 | | | | |
| 45 | 1 | 9990-99 | Bronzebushing dia14xdia20x10mm | | | | |
| 46 | 1 | 9987-21 | Sleeve IGUS MSM-1420-10 | | | | |
| 47 | 1 | 9936-29 | Tightening ring 14x22x4mm, NBR | | | | |
| 48 | 1 | 9936-28 | V-ring VS 14 | | | | |
| 49 | 1 | 9937-13 | Locking ring U 14, A2 | | | | |
| 50 | 1 | 4655-05 | Support for cable | | | | |

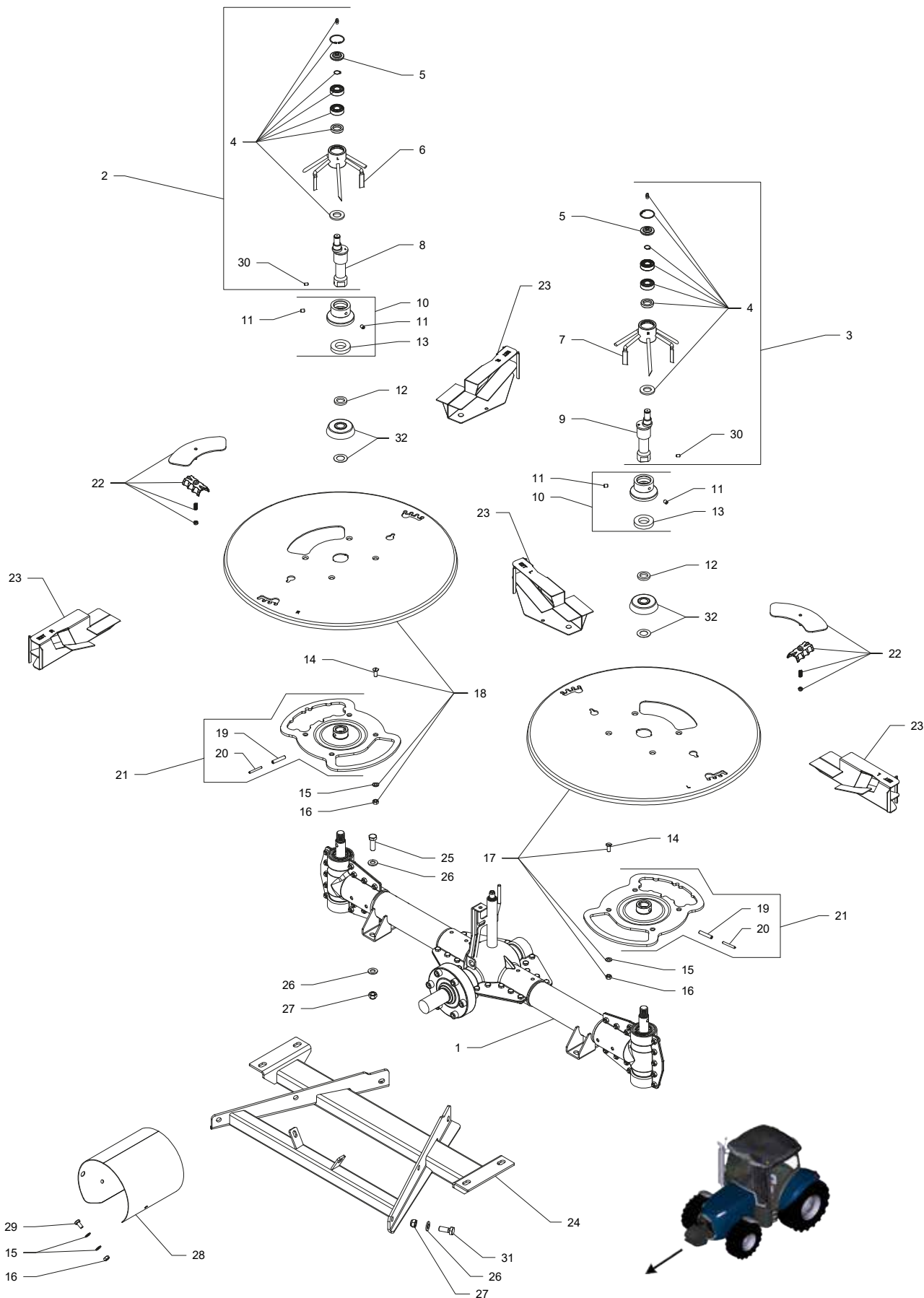
Spreading system



Spreading system

| Pos | Qty | Part no | Notes |
|-----|-----|---------|---------------------------------|
| 1 | 1 | 4750-02 | Transmission M-line-EX Trend |
| 2 | 1 | 6260-02 | Agitator cpl. R-side/L-thread |
| 3 | 1 | 6260-01 | Agitator cpl. L-side/R-thread |
| 4 | 2 | 6260-10 | Gasket set & bearing f/agitator |
| 5 | 2 | 4056-03 | Cover f/bearing housing |
| 6 | 1 | 6262-06 | Agitator R-side/L |
| 7 | 1 | 6262-05 | Agitator L-side/R |
| 8 | 1 | 6261-01 | Shaft/agitator R-side/L-thread |
| 9 | 1 | 6261-02 | Shaft/agitator L-side/R-thread |
| 10 | 2 | 4158-05 | Hub f/agitator |
| 11 | 4 | 9913-19 | Socket set screw M8x10mm, A2 |
| 12 | 2 | 4560-01 | Washer for agitator |
| 13 | 2 | 4158-10 | Tightening for agitator |
| 14 | 8 | 9929-35 | Countersunk screw M8x20mm, A2 |
| 15 | 12 | 9930-32 | Washer 8,4x16x1,6mm, A2 |
| 16 | 10 | 9969-31 | Nut M8, A2 |
| 17 | 1 | 6250-45 | Spread disc (L) Dual M-line |
| 18 | 1 | 6250-46 | Spread disc (R) Dual M-line |
| 19 | 2 | 9933-02 | Tension pin 8x40mm |
| 20 | 2 | 9933-11 | Tension pin 5x40mm |
| 21 | 2 | 6251-40 | Hub w/tension pin, Dual |
| 22 | 2 | 6250-55 | Lid w/lock |
| 23 | 1 | 4650-12 | Vanes E1-T 12-18m |
| 23 | 1 | 4650-20 | Vanes E2-T 20-24m |
| 23 | 1 | 4650-28 | Vanes E6-T 28-36m |
| 23 | 1 | 4650-36 | Vanes E8-T 40-42m |
| 24 | 1 | 6430-01 | Fixture f/transmission M60W/M6W |
| 25 | 4 | 9965-01 | Screw M12x35mm, A2 |
| 26 | 14 | 9930-35 | Washer 13x24x2,5mm, A2 |
| 27 | 10 | 9969-62 | Lock nut M12 w/nylon A4 |
| 28 | 6 | 9964-72 | Screw M16x40mm, A2 |
| 29 | 6 | 9969-84 | Lock nut M16 w/nylon A2 |
| 30 | 6 | 9930-20 | Washer 17x30x3mm, A2 |
| 31 | 1 | 4470-01 | Guard for safety clutch |
| 32 | 2 | 9962-03 | Screw M8x16mm, A2 |
| 33 | 2 | 9961-02 | Socket set screw M6x10mm, A2 |
| 34 | 2 | 6251-46 | Sealing bowl with seal |

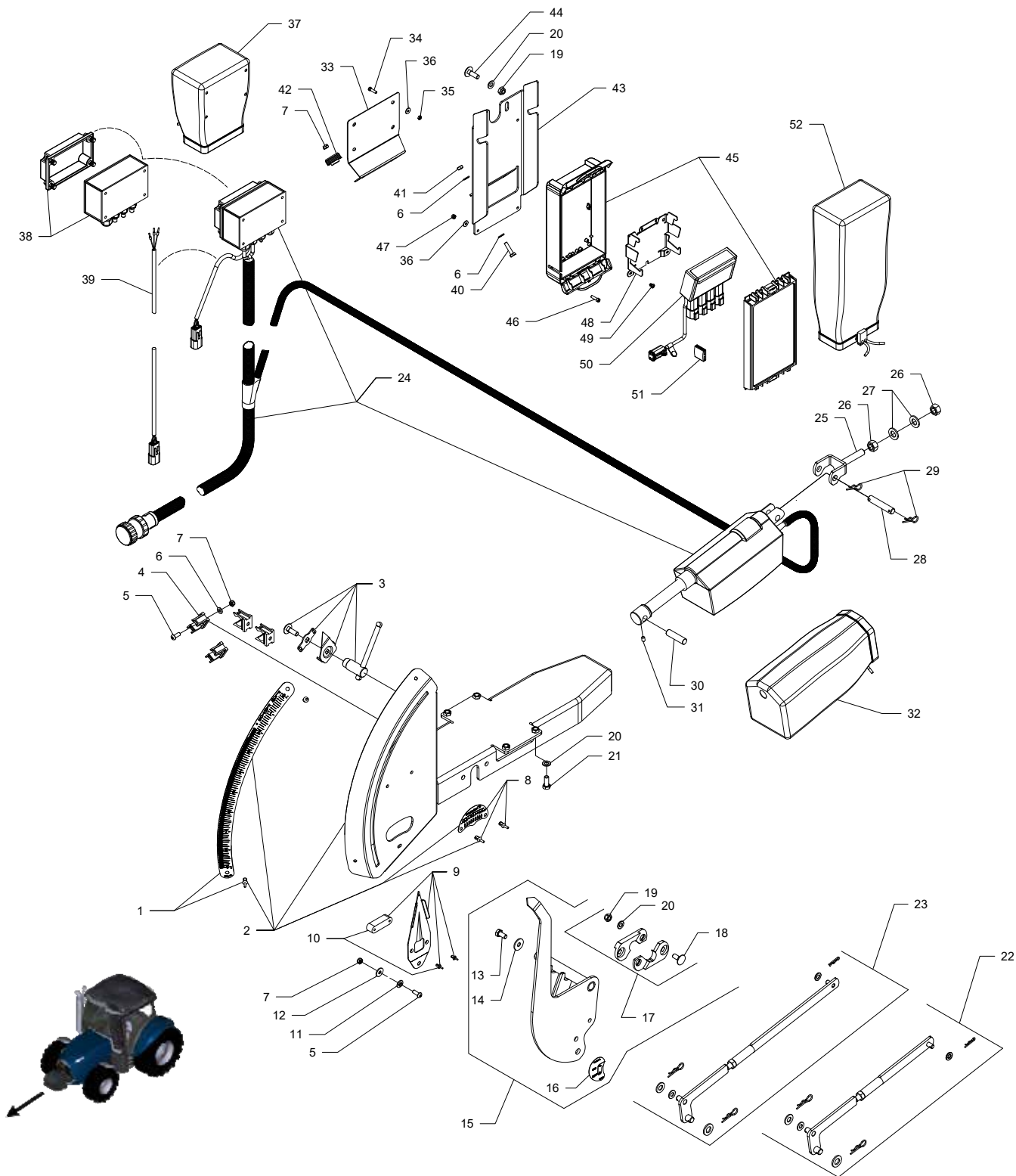
Spreading system



Spreading system

| Pos | Qty | Part no | Notes |
|-----|-----|---------|---------------------------------|
| 1 | 1 | 4750-02 | Transmission M-line-EX Trend |
| 2 | 1 | 6260-02 | Agitator cpl. R-side/L-thread |
| 3 | 1 | 6260-01 | Agitator cpl. L-side/R-thread |
| 4 | 2 | 6260-10 | Gasket set & bearing f/agitator |
| 5 | 2 | 4056-03 | Cover f/bearing housing |
| 6 | 1 | 6262-06 | Agitator R-side/L |
| 7 | 1 | 6262-05 | Agitator L-side/R |
| 8 | 1 | 6261-01 | Shaft/agitator R-side/L-thread |
| 9 | 1 | 6261-02 | Shaft/agitator L-side/R-thread |
| 10 | 2 | 4158-05 | Hub f/agitator |
| 11 | 4 | 9913-19 | Socket set screw M8x10mm, A2 |
| 12 | 2 | 4560-01 | Washer for agitator |
| 13 | 2 | 4158-10 | Tightening for agitator |
| 14 | 8 | 9929-35 | Countersunk screw M8x20mm, A2 |
| 15 | 12 | 9930-32 | Washer 8,4x16x1,6mm, A2 |
| 16 | 10 | 9969-31 | Nut M8, A2 |
| 17 | 1 | 6250-45 | Spread disc (L) Dual M-line |
| 18 | 1 | 6250-46 | Spread disc (R) Dual M-line |
| 19 | 2 | 9933-02 | Tension pin 8x40mm |
| 20 | 2 | 9933-11 | Tension pin 5x40mm |
| 21 | 2 | 6251-40 | Hub w/tension pin, Dual |
| 22 | 2 | 6250-55 | Lid w/lock |
| 23 | 1 | 4650-12 | Vanes E1-T 12-18m |
| 23 | 1 | 4650-20 | Vanes E2-T 20-24m |
| 23 | 1 | 4650-28 | Vanes E6-T 28-36m |
| 23 | 1 | 4650-36 | Vanes E8-T 40-42m |
| 24 | 1 | 6330-01 | Fixture f/transmission |
| 25 | 4 | 9965-01 | Screw M12x35mm, A2 |
| 26 | 14 | 9930-35 | Washer 13x24x2,5mm, A2 |
| 27 | 10 | 9969-62 | Lock nut M12 w/nylon A4 |
| 28 | 1 | 4470-01 | Guard for safety clutch |
| 29 | 2 | 9962-03 | Screw M8x16mm, A2 |
| 30 | 2 | 9961-02 | Socket set screw M6x10mm, A2 |
| 31 | 6 | 9965-03 | Screw M12x30mm, A2 |
| 32 | 2 | 6251-46 | Sealing bowl with seal |

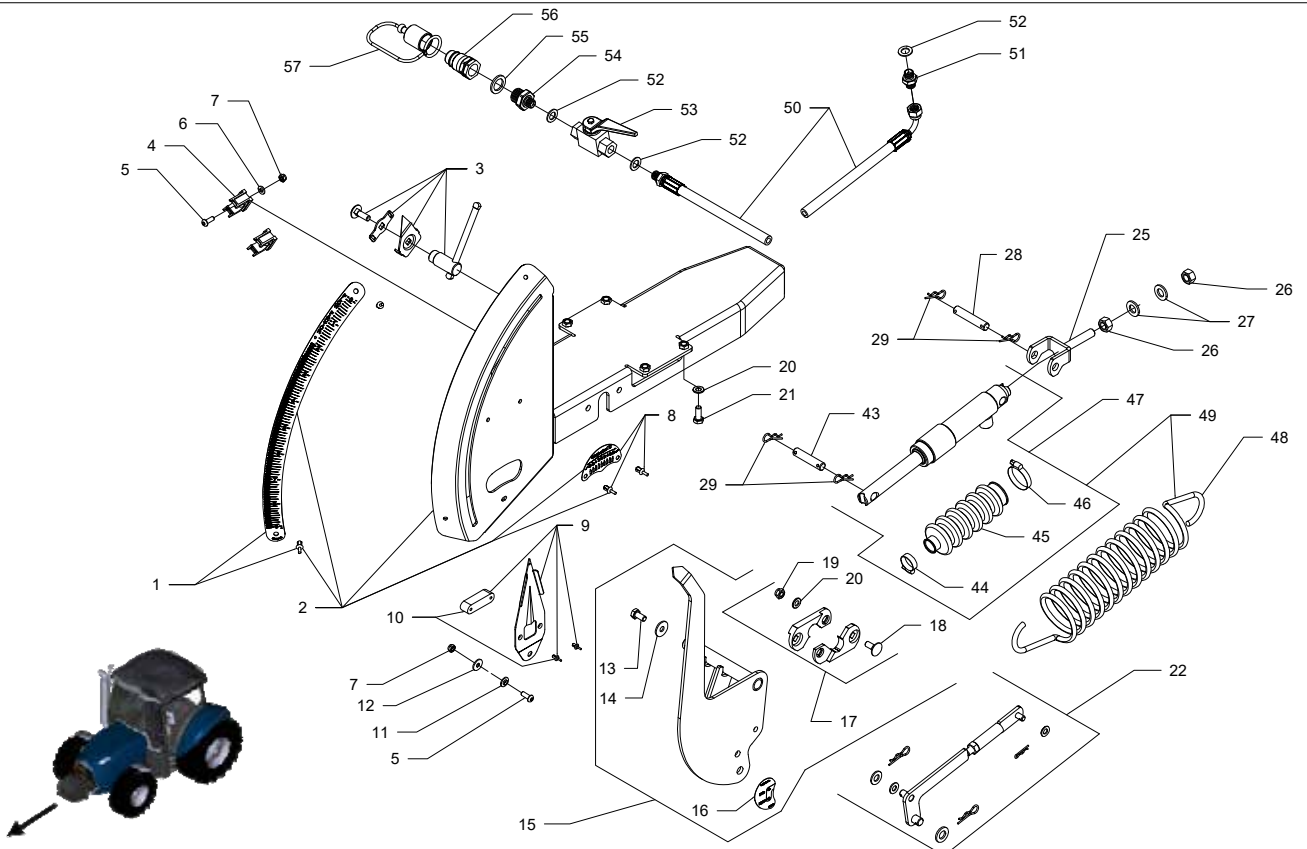
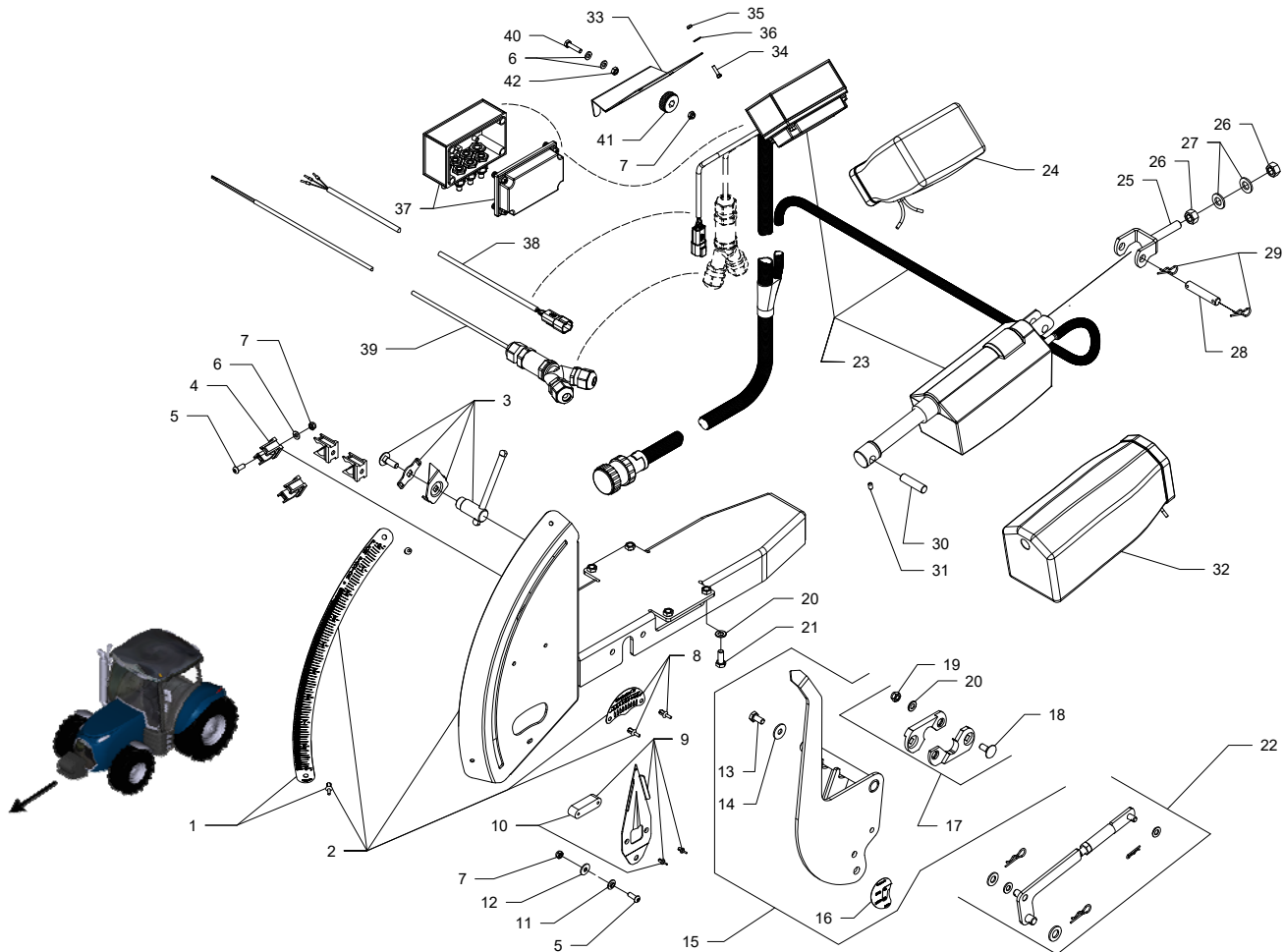
Regulation system



Regulation system

| Pos | Qty | Part no | Notes | Pos | Qty | Part no | Notes |
|-----|-----|---------|--------------------------------|-----|-----|---------|-------------------------|
| 1 | 1 | 6381-03 | Scale w/rivet M-line | 51 | 1 | N/A | Seal for box |
| 2 | 1 | 6381-04 | Scale console M-line | 52 | 2 | 6387-37 | Cover bag for Multi-Can |
| 3 | 1 | 6381-13 | Indicator f/scale cpl. | | | | |
| 4 | 4 | 9989-85 | Wire holder type BFH 16.100 | | | | |
| 5 | 5 | 9961-21 | Button head M6x16mm, A2 | | | | |
| 6 | 12 | 9930-02 | Washer 6,2x12,5x1,6mm, A2 | | | | |
| 7 | 9 | 9969-16 | Lock nut M6 w/nylon A2 | | | | |
| 8 | 1 | 6381-18 | Scale for degree | | | | |
| 9 | 1 | 6381-16 | Degree pointer with level | | | | |
| 10 | 1 | 6381-17 | Level with rivet | | | | |
| 11 | 1 | 9930-53 | Nylon washer 7,9x15x3,5x1,5 | | | | |
| 12 | 1 | 9930-03 | Washer 6,4x18x1,6mm, A2 | | | | |
| 13 | 1 | 9962-03 | Screw M8x16mm, A2 | | | | |
| 14 | 1 | 9930-31 | Washer 8,4x24x2mm, A2 | | | | |
| 15 | 1 | 6381-09 | Pointer w/bearing & transfers | | | | |
| 16 | 1 | 9993-54 | Stickers, STD / MAX+ | | | | |
| 17 | 1 | 6381-45 | Plactic bearing f/pointer | | | | |
| 18 | 2 | 9962-25 | Carriage bolt M8x20mm, A2 | | | | |
| 19 | 4 | 9969-32 | Lock nut M8 w/nylon A2 | | | | |
| 20 | 10 | 9930-32 | Washer 8,4x16x1,6mm, A2 | | | | |
| 21 | 4 | 9962-04 | Screw M8x20mm, A2 | | | | |
| 22 | 1 | 6384-19 | Connection arm M2/3/35/45-W | | | | |
| 23 | 1 | 6481-05 | Connecting arm M60W/M6W | | | | |
| 24 | 1 | 6384-26 | Actuator w/wire & Dynamic plug | | | | |
| 25 | 1 | 4581-25 | Fork w/thread | | | | |
| 26 | 2 | 9969-60 | Nut M12, A2 | | | | |
| 27 | 3 | 9930-35 | Washer 13x24x2,5mm, A2 | | | | |
| 28 | 1 | 4581-28 | Split bolt f/cylinder/actuator | | | | |
| 29 | 6 | 9934-32 | Lock spring 2mm, A2 | | | | |
| 30 | 1 | 4584-08 | Guide pin for actuator | | | | |
| 31 | 1 | 9961-02 | Socket set screw M6x10mm, A2 | | | | |
| 32 | 1 | 4584-25 | Tarpauling for actuator LA32 | | | | |
| 33 | 1 | 6384-29 | Fitting for box | | | | |
| 34 | 4 | 9960-01 | Screw M 4x16mm A2 | | | | |
| 35 | 4 | 9968-78 | Nut M4 A2 D.934 | | | | |
| 36 | 8 | 9930-38 | Washer 4,3x12x1mm, A2 | | | | |
| 37 | 1 | 4584-26 | Tarpauling for box | | | | |
| 38 | 1 | 4920-50 | Junction box | | | | |
| 39 | 1 | 6384-27 | Dynamic/Multi-Can plug w/wire | | | | |
| 40 | 4 | 9961-14 | Screw M6x25mm, A2 | | | | |
| 41 | 2 | 9969-15 | Nut M6, A2 | | | | |
| 42 | 4 | 9990-43 | Handwheel dia. 31 for M6 nut | | | | |
| 43 | 1 | N/A | Console for Box | | | | |
| 44 | 3 | 9962-17 | Carriage bolt M8x25mm, A2 | | | | |
| 45 | 1 | N/A | Box for Multi-Can | | | | |
| 46 | 4 | N/A | Screw M4x16mm, A2 | | | | |
| 47 | 4 | 9969-28 | Lock nut M4 w/nylon A2 | | | | |
| 48 | 1 | N/A | Bracket for Multi-Can | | | | |
| 49 | 4 | N/A | Screw 4x8mm TX20, A2 | | | | |
| 50 | 1 | 6387-27 | Multi-can | | | | |

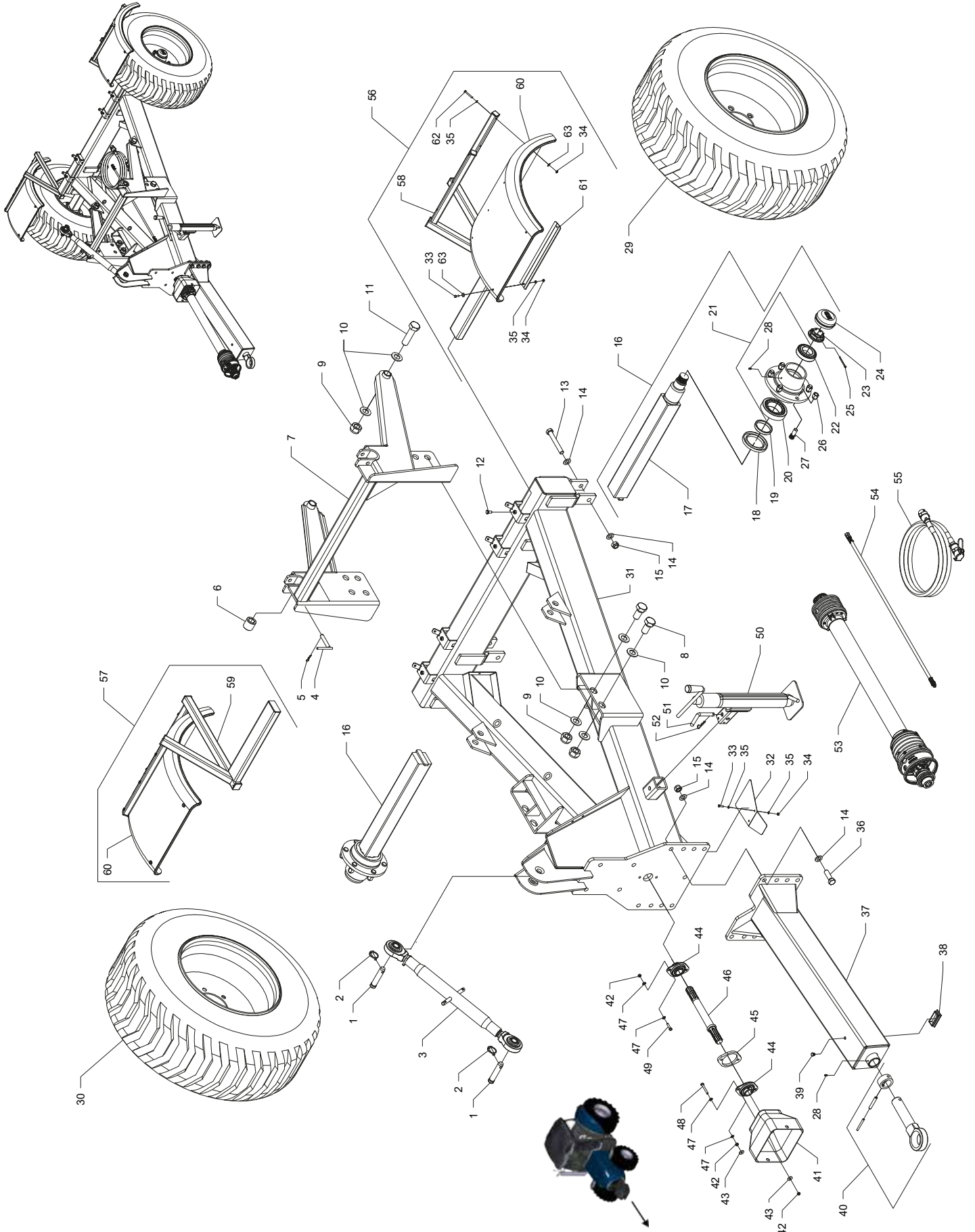
Regulation system



Regulation system

| Pos | Qty | Part no | Notes | Pos | Qty | Part no | Notes |
|-----|-----|---------|--------------------------------|-----|-----|---------|-------------------------------|
| 1 | 1 | 6381-03 | Scale w/rivet M-line | 51 | 1 | 9990-78 | Nipple 1/4" BSP |
| 2 | 1 | 6381-04 | Scale console M-line | 52 | 3 | 9936-79 | Bonded seals gasket 1/4" |
| 3 | 1 | 6381-13 | Indicator f/scale cpl. | 53 | 1 | 9982-06 | Ball valve 1/4" |
| 4 | 4 | 9989-85 | Wire holder type BFH 16.100 | 54 | 1 | 9990-84 | Nipple 1/2"x1/4" BSP 0.8 Bore |
| 5 | 5 | 9961-21 | Button head M6x16mm, A2 | 55 | 1 | 9936-80 | Bonded seals gasket 1/2" |
| 6 | 8 | 9930-02 | Washer 6,2x12,5x1,6mm, A2 | 56 | 1 | 9983-09 | Quick coupling 1/2", male |
| 7 | 7 | 9969-16 | Lock nut M6 w/nylon A2 | 57 | 1 | 9990-19 | Cover for coupling 1/2" |
| 8 | 1 | 6381-18 | Scale for degree | | | | |
| 9 | 1 | 6381-16 | Degree pointer with level | | | | |
| 10 | 1 | 6381-17 | Level with rivet | | | | |
| 11 | 1 | 9930-53 | Nylon washer 7,9x15x3,5x1,5 | | | | |
| 12 | 1 | 9930-03 | Washer 6,4x18x1,6mm, A2 | | | | |
| 13 | 1 | 9962-03 | Screw M8x16mm, A2 | | | | |
| 14 | 1 | 9930-31 | Washer 8,4x24x2mm, A2 | | | | |
| 15 | 1 | 6381-09 | Pointer w/bearing & transfers | | | | |
| 16 | 1 | 9993-54 | Stickers, STD / MAX+ | | | | |
| 17 | 1 | 6381-45 | Plactic bearing f/pointer | | | | |
| 18 | 2 | 9962-25 | Carriage bolt M8x20mm, A2 | | | | |
| 19 | 2 | 9969-32 | Lock nut M8 w/nylon A2 | | | | |
| 20 | 7 | 9930-32 | Washer 8,4x16x1,6mm, A2 | | | | |
| 21 | 4 | 9962-04 | Screw M8x20mm, A2 | | | | |
| 22 | 1 | 6381-19 | Connection arm M2/3/35/45 | | | | |
| 23 | 1 | 6384-28 | Actuator w/wire | | | | |
| 24 | 1 | 4584-26 | Tarpauling for box | | | | |
| 25 | 1 | 4581-25 | Fork w/thread | | | | |
| 26 | 2 | 9969-60 | Nut M12, A2 | | | | |
| 27 | 4 | 9930-35 | Washer 13x24x2,5mm, A2 | | | | |
| 28 | 1 | 4581-28 | Split bolt f/cylinder/actuator | | | | |
| 29 | 8 | 9934-32 | Lock spring 2mm, A2 | | | | |
| 30 | 1 | 4584-08 | Guide pin for actuator | | | | |
| 31 | 1 | 9961-02 | Socket set screw M6x10mm, A2 | | | | |
| 32 | 1 | 4584-25 | Tarpauling for actuator LA32 | | | | |
| 33 | 1 | 6384-29 | Fitting for box | | | | |
| 34 | 4 | 9960-01 | Screw M 4x16mm A2 | | | | |
| 35 | 4 | 9968-78 | Nut M4 A2 D.934 | | | | |
| 36 | 4 | 9930-38 | Washer 4,3x12x1mm, A2 | | | | |
| 37 | 1 | 4920-50 | Junction box | | | | |
| 38 | 1 | 6384-27 | Dynamic/Multi-Can plug w/wire | | | | |
| 39 | 1 | 6390-87 | Y-piece w/wire f/TB & FB/DS | | | | |
| 40 | 2 | 9961-14 | Screw M6x25mm, A2 | | | | |
| 41 | 2 | 9990-43 | Handwheel dia. 31 for M6 nut | | | | |
| 42 | 2 | 9969-15 | Nut M6, A2 | | | | |
| 43 | 1 | 4581-29 | Split bolt for cylinder | | | | |
| 44 | 1 | 9990-60 | Hose clamp stainless MAH 10 | | | | |
| 45 | 1 | 9987-04 | Bellows black | | | | |
| 46 | 1 | 9990-61 | Hose clamp stainless MAH 20 | | | | |
| 47 | 1 | 4581-15 | Cylinder cpl. | | | | |
| 48 | 1 | 9934-14 | Spring 7,5x65x216mm galv. | | | | |
| 49 | 1 | 4581-37 | Cylinder cpl. w/spring | | | | |
| 50 | 2 | 9983-29 | Hydr. tube 1/4" L1950mm | | | | |

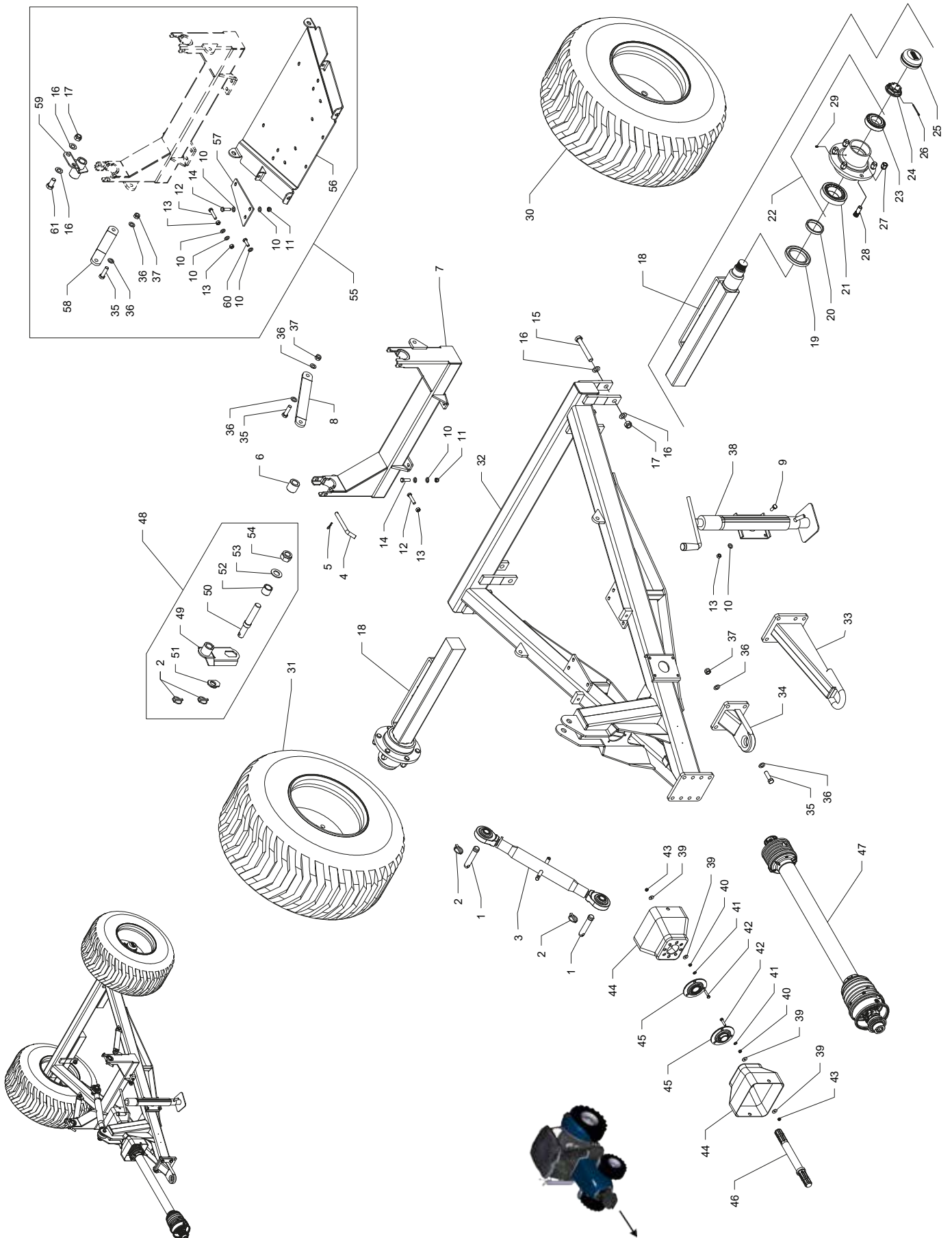
M45-Trail



M45-Trail

| Pos | Qty | Part no | Notes | Pos | Qty | Part no | Notes |
|-----|-----|---------|--------------------------------|-----|-----|---------|--------------------------------|
| 1 | 2 | 6320-04 | Top link Pin, dia. 25x97mm | 51 | 2 | 9524-05 | Split bolt for fork |
| 2 | 2 | 9938-74 | Linch Pin 10x45mm | 52 | 2 | 9934-34 | Lock spring 3mm |
| 3 | 1 | 9981-80 | Top bar cat2/2 (76-104cm) | 53 | 1 | 9985-41 | PTO1010mm w/wide angle M-Trail |
| 4 | 2 | 1830-65 | Split bolt | 54 | 1 | 9983-30 | Hydr. hose 1/4"x1000mm |
| 5 | 2 | 9934-32 | Lock spring 2mm, A2 | 55 | 1 | 6930-21 | Extension cord rear lights |
| 6 | 2 | 1830-64 | Bushing for link pin | 56 | 1 | 1834-03 | Guard with bracket, L |
| 7 | 1 | 1830-70 | Support f/M-Trail,M3(W)-M45(W) | 57 | 1 | 1834-04 | Guard with bracket, R |
| 8 | 4 | 9967-76 | Steel bolt M30x60mm, FZV | 58 | 1 | 1834-05 | Bracket for guard, L |
| 9 | 6 | 9969-98 | Lock nut M30 w/nylon A2 | 59 | 1 | 1834-06 | Bracket for guard, R |
| 10 | 12 | 9930-63 | Washer 31x56x4mm, A2 | 60 | 2 | 1834-11 | Guard |
| 11 | 2 | 9967-75 | Steel bolt M30x110mm, FZV | 61 | 2 | 1834-12 | Support for guard |
| 12 | 4 | 9963-10 | Screw M10x20mm, A2 | 62 | 12 | 9960-08 | Bolt M6x45mm, A2 |
| 13 | 4 | 9967-50 | Steel bolt M20x140mm, FZV | 63 | 16 | 9930-03 | Washer 6,4x18x1,6mm, A2 |
| 14 | 25 | 9930-40 | Washer 21x37x3mm, A2 | | | | |
| 15 | 12 | 9969-94 | Lock nut M20 w/nylon A2 | | | | |
| 16 | 2 | 1831-15 | Hub on shaft M3/M45-Trail | | | | |
| 17 | 2 | 9983-92 | Shaft Q80x640 | | | | |
| 18 | 2 | 9983-93 | Tightening ring dia. 90/130 | | | | |
| 19 | 2 | 9983-94 | Shoulder ring | | | | |
| 20 | 2 | 9950-14 | Roller bearing SKF 32215 | | | | |
| 21 | 2 | 9983-91 | Hub housing w/bearing & bolts | | | | |
| 22 | 2 | 9950-13 | Roller bearing SKF 32211 | | | | |
| 23 | 2 | 9983-96 | Crown nut with flange | | | | |
| 24 | 2 | 9983-95 | Hub cap dia. 100mm | | | | |
| 25 | 2 | 9984-26 | Split pin 5x50mm | | | | |
| 26 | 12 | 9984-14 | Hub nut M18x1,5mm | | | | |
| 27 | 12 | 9984-17 | Hub bolt M18x50mm | | | | |
| 28 | 3 | 9935-10 | Lubricator nipple M6x1mm | | | | |
| 29 | 1 | 9980-30 | Wheel 400/55-22,5,6 holes,left | | | | |
| 30 | 1 | 9980-31 | Wheel 400/55-22,5,6holes,right | | | | |
| 31 | 1 | 1830-15 | Frame M3/M45-Trail | | | | |
| 32 | 1 | 1830-49 | Plate for shield | | | | |
| 33 | 6 | 9961-12 | Screw M6x20mm, A2 | | | | |
| 34 | 18 | 9969-16 | Lock nut M6 w/nylon A2 | | | | |
| 35 | 20 | 9930-02 | Washer 6,2x12,5x1,6mm, A2 | | | | |
| 36 | 9 | 9967-51 | Screw M20x65mm, A2 | | | | |
| 37 | 1 | 1830-91 | Drawbar M3/M45-Trail | | | | |
| 38 | 1 | 9990-16 | Cover for tube 80x40x4mm | | | | |
| 39 | 1 | 9990-49 | Cover DPD 16 | | | | |
| 40 | 1 | 9981-51 | Drawbar, 8 T, dia.50mm hole | | | | |
| 41 | 1 | 9987-01 | Protection guard | | | | |
| 42 | 6 | 9969-32 | Lock nut M8 w/nylon A2 | | | | |
| 43 | 4 | 9930-31 | Washer 8,4x24x2mm, A2 | | | | |
| 44 | 2 | 9950-48 | Ball bearing YAR 207-2RF | | | | |
| 45 | 1 | 1830-53 | Spacer | | | | |
| 46 | 1 | 1811-71 | Splined shaft cpl. | | | | |
| 47 | 8 | 9930-32 | Washer 8,4x16x1,6mm, A2 | | | | |
| 48 | 2 | 9962-22 | Set screw M8x60mm, A2 | | | | |
| 49 | 2 | 9962-21 | Set screw M8x35mm, A2 | | | | |
| 50 | 1 | 1830-55 | Supporter for trail | | | | |

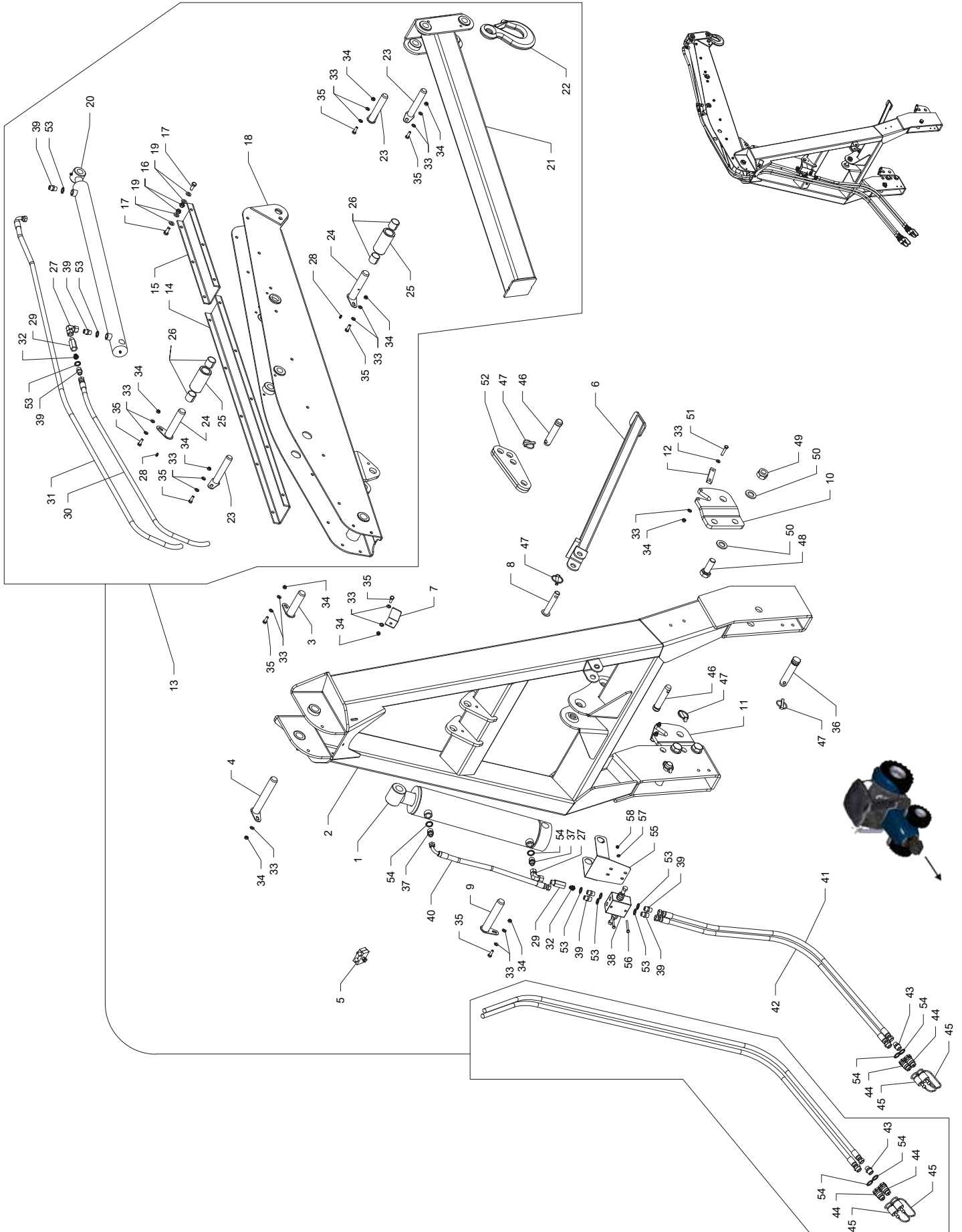
M35-Trail / L20-Trail



M35-Trail / L20-Trail

| Pos | Qty | Part no | Notes | Pos | Qty | Part no | Notes |
|-----|-----|---------|--------------------------------|-----|-----|---------|--------------------------|
| 1 | 2 | 6320-04 | Top link Pin, dia. 25x97mm | 51 | 1 | 6981-72 | Excentric plate |
| 2 | 4 | 9938-74 | Linch Pin 10x45mm | 52 | 1 | 6981-76 | Sleeve |
| 3 | 1 | 1811-55 | Tap bar Trail-carriage | 53 | 1 | 9930-63 | Washer 31x56x4mm, A2 |
| 4 | 2 | 1810-84 | Split bolt f/support | 54 | 1 | 9969-98 | Lock nut M30 w/nylon A2 |
| 5 | 2 | 9934-32 | Lock spring 2mm, A2 | 55 | 1 | 1812-01 | Carry kit f. S3/M2-Trail |
| 6 | 2 | 1830-64 | Bushing for link pin | 56 | 1 | 1812-03 | Support plate S3 |
| 7 | 2 | 1810-90 | Support M2(W)-M35(W) | 57 | 2 | 1812-04 | Clamping plate f/support |
| 8 | 2 | 1810-96 | Brace for support M/L-line | 58 | 2 | 1812-09 | Brace for support S3 |
| 9 | 4 | 9965-03 | Screw M12x30mm, A2 | 59 | 2 | 1812-05 | Adapter for link pin |
| 10 | 34 | 9930-35 | Washer 13x24x2,5mm, A2 | 60 | 2 | 9965-01 | Screw M12x35mm, A2 |
| 11 | 12 | 9969-62 | Lock nut M12 w/nylon A4 | 61 | 2 | 9965-00 | Screw M20x40mm, kl.80 A4 |
| 12 | 4 | 9965-06 | Screw M12x55mm, A2 | | | | |
| 13 | 10 | 9969-60 | Nut M12, A2 | | | | |
| 14 | 12 | 9965-05 | Screw M12x40mm, A2 | | | | |
| 15 | 4 | 9967-50 | Steel bolt M20x140mm, FZV | | | | |
| 16 | 12 | 9930-40 | Washer 21x37x3mm, A2 | | | | |
| 17 | 6 | 9969-94 | Lock nut M20 w/nylon A2 | | | | |
| 18 | 2 | 1810-03 | Adjustable hub/L2-M2-M35-Trail | | | | |
| 19 | 1 | 9983-93 | Tightening ring dia. 90/130 | | | | |
| 20 | 1 | 9983-94 | Shoulder ring | | | | |
| 21 | 1 | 9950-14 | Roller bearing SKF 32215 | | | | |
| 22 | 1 | 9983-91 | Hub housing w/bearing & bolts | | | | |
| 23 | 1 | 9950-13 | Roller bearing SKF 32211 | | | | |
| 24 | 1 | 9983-96 | Crown nut with flange | | | | |
| 25 | 1 | 9983-95 | Hub cap dia. 100mm | | | | |
| 26 | 1 | 9984-26 | Split pin 5x50mm | | | | |
| 27 | 7 | 9984-14 | Hub nut M18x1,5mm | | | | |
| 28 | 7 | 9984-17 | Hub bolt M18x50mm | | | | |
| 29 | 1 | 9935-10 | Lubricator nipple M6x1mm | | | | |
| 30 | 1 | 9980-28 | Wheel cpl.400/60x15,5/14,left | | | | |
| 31 | 1 | 9980-29 | Wheel cpl.400/60x15,5/14,right | | | | |
| 32 | 1 | 1810-19 | Frame f/M-Trail carriage | | | | |
| 33 | 1 | 1811-75 | Extension drawbar eye | | | | |
| 34 | 1 | 1811-51 | Drawbar eye | | | | |
| 35 | 12 | 9960-91 | Bolt M16x55mm, A2 | | | | |
| 36 | 24 | 9930-20 | Washer 17x30x3mm, A2 | | | | |
| 37 | 12 | 9969-84 | Lock nut M16 w/nylon A2 | | | | |
| 38 | 1 | 1550-30 | Supporter for trail | | | | |
| 39 | 12 | 9930-31 | Washer 8,4x24x2mm, A2 | | | | |
| 40 | 6 | 9969-31 | Nut M8, A2 | | | | |
| 41 | 6 | 9930-32 | Washer 8,4x16x1,6mm, A2 | | | | |
| 42 | 6 | 9962-16 | Screw M8x40mm, A2 | | | | |
| 43 | 6 | 9969-32 | Lock nut M8 w/nylon A2 | | | | |
| 44 | 2 | 9987-01 | Protection guard | | | | |
| 45 | 2 | 9950-43 | Flanged bearing dia. 35mm | | | | |
| 46 | 1 | 1811-71 | Splined shaft cpl. | | | | |
| 47 | 1 | 9985-41 | PTO1010mm w/wide angle M-Trail | | | | |
| 48 | 2 | 6981-60 | Late application kit L2(W) | | | | |
| 49 | 1 | 6981-68 | Link pin console | | | | |
| 50 | 1 | 6981-75 | Link pin | | | | |

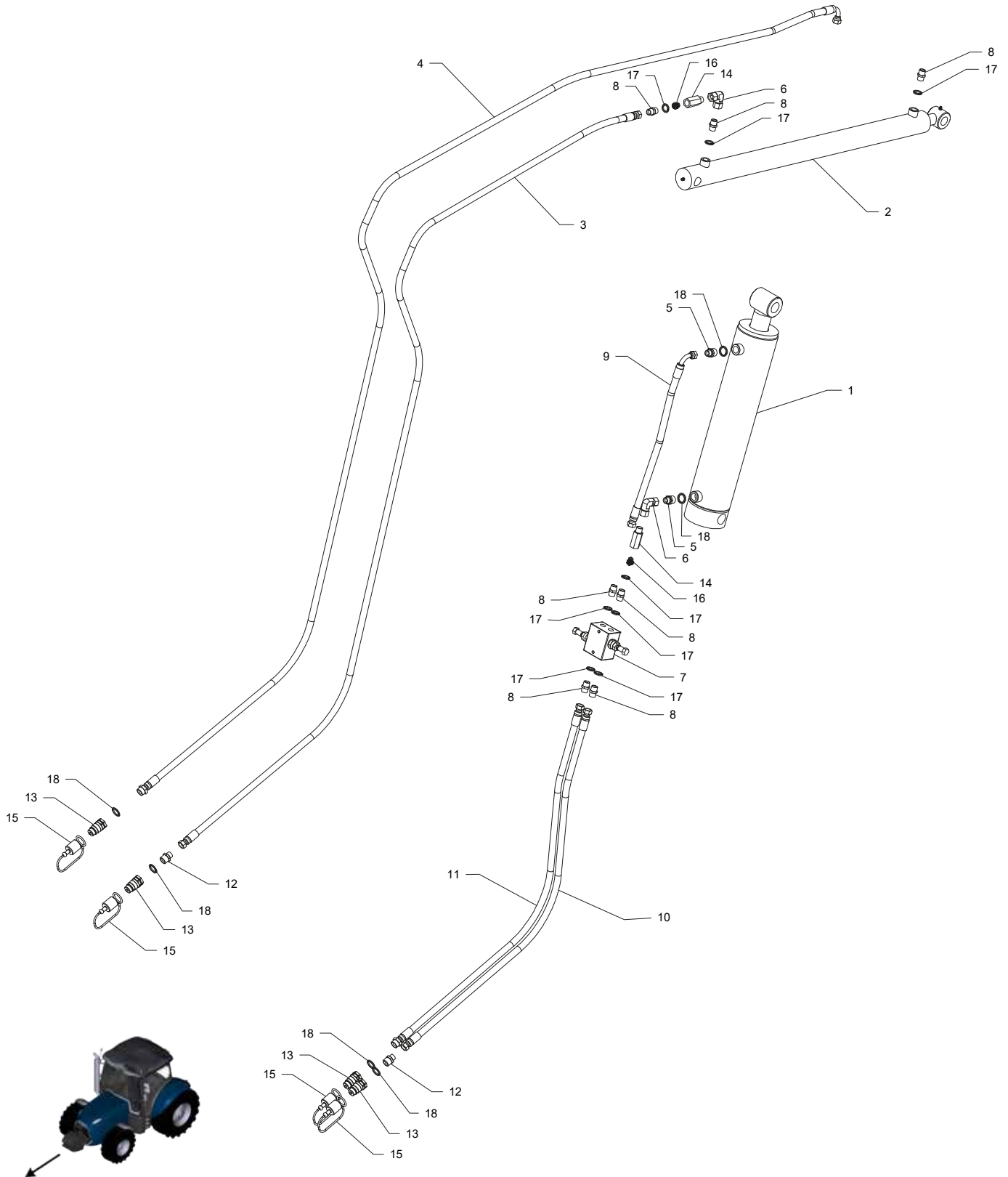
BXL 1300



BXL 1300

| Pos | Qty | Part no | Notes | Pos | Qty | Part no | Notes |
|-----|-----|---------|--------------------------------|-----|-----|---------|---------------------------|
| 1 | 1 | 5693-15 | Cylinder L-min=625mm | 51 | 9 | 9962-11 | Bolt M8x40mm, A2 |
| 2 | 1 | 5692-10 | Tower for big bag lifter | 52 | 1 | 5692-85 | Top bar |
| 3 | 1 | 5692-67 | Shaft f/lift cylinder 30/117 | 53 | 8 | 9936-82 | Bonded seals gasket 3/8" |
| 4 | 1 | 5692-61 | Shaft f/lift arm dia. 30/182 | 54 | 6 | 9936-80 | Bonded seals gasket 1/2" |
| 5 | 1 | 9990-33 | Double tupe support GR.2 | 55 | 1 | 5693-20 | Console for shock valve |
| 6 | 2 | 5692-50 | Supporter for BXL1300 | 56 | 2 | 9961-17 | Bolt M6x60mm, A2 |
| 7 | 1 | 5692-56 | Bracket for support | 57 | 2 | 9930-02 | Washer 6,2x12,5x1,6mm, A2 |
| 8 | 2 | 5692-78 | Split bolt f/support | 58 | 2 | 9969-16 | Lock nut M6 w/nylon A2 |
| 9 | 1 | 5692-64 | Shaft f/lift cylinder 30/152 | | | | |
| 10 | 3 | 5692-88 | Console f. link pin, left | | | | |
| 11 | 3 | 5692-89 | Console f. link pin, right | | | | |
| 12 | 4 | 5692-92 | Lock plate f/link pin | | | | |
| 13 | 1 | 5692-30 | Lift arm complete | | | | |
| 14 | 1 | 5692-33 | Distance plate long, lift arm | | | | |
| 15 | 1 | 5692-34 | Distance plate short, lift arm | | | | |
| 16 | 16 | 9969-45 | Lock nut M10 w/nylon A2 | | | | |
| 17 | 16 | 9963-01 | Screw M10x25mm, A2 | | | | |
| 18 | 1 | 5692-35 | Lift arm | | | | |
| 19 | 32 | 9968-44 | Washer 10,5x21x2mm, A2 | | | | |
| 20 | 1 | 5693-01 | Cylinder 50/30/800 dia.25 | | | | |
| 21 | 1 | 5692-46 | Extending lift arm | | | | |
| 22 | 1 | 9982-42 | 2,5T hook | | | | |
| 23 | 3 | 5692-74 | Shaft extendingcyl./lift hook | | | | |
| 24 | 2 | 5692-70 | Shaft f/support roll Ø30/137 | | | | |
| 25 | 2 | 5692-44 | Support roll f/extending | | | | |
| 26 | 4 | 9991-00 | Bronze bearing 30/34x30 | | | | |
| 27 | 2 | 9995-05 | Angle connection 90° 3/8" | | | | |
| 28 | 3 | 9935-10 | Lubricator nipple M6x1mm | | | | |
| 29 | 2 | 9982-11 | Case 3/8x3/8" | | | | |
| 30 | 1 | 9983-25 | Hydr. hose 3/8" 3000mm | | | | |
| 31 | 1 | 9983-26 | Hydr. hose 3/8" 3950mm | | | | |
| 32 | 2 | 9982-12 | Antidrop valve 3/8" | | | | |
| 33 | 35 | 9930-32 | Washer 8,4x16x1,6mm, A2 | | | | |
| 34 | 18 | 9969-32 | Lock nut M8 w/nylon A2 | | | | |
| 35 | 8 | 9962-05 | Screw M8x25mm, A2 | | | | |
| 36 | 2 | 6320-03 | Lower link Pin, dia. 28x100mm | | | | |
| 37 | 2 | 9995-01 | Nipple 3/8"-1/2" | | | | |
| 38 | 1 | 9982-10 | Shock valve "Y" 80-160bar 3/8 | | | | |
| 39 | 7 | 9995-02 | Nipple 3/8"-3/8" | | | | |
| 40 | 1 | 9983-23 | Hydr. hose 3/8" 520mm | | | | |
| 41 | 1 | 9983-22 | Hydr. hose 3/8" 1200mm | | | | |
| 42 | 1 | 9983-24 | Hydr. hose 3/8" 1200mm | | | | |
| 43 | 2 | 9995-03 | Nipple w/nozzle 1,5mm1/2"x3/8" | | | | |
| 44 | 4 | 9983-09 | Quick coupling 1/2", male | | | | |
| 45 | 4 | 9990-19 | Cover for coupling 1/2" | | | | |
| 46 | 2 | 6320-04 | Top link Pin, dia. 25x97mm | | | | |
| 47 | 6 | 9938-74 | Linch Pin 10x45mm | | | | |
| 48 | 8 | 9967-60 | Steel bolt M24x65mm | | | | |
| 49 | 8 | 9969-96 | Lock nut M24, fzb | | | | |
| 50 | 16 | 9930-01 | Washer 25x44x4mm | | | | |

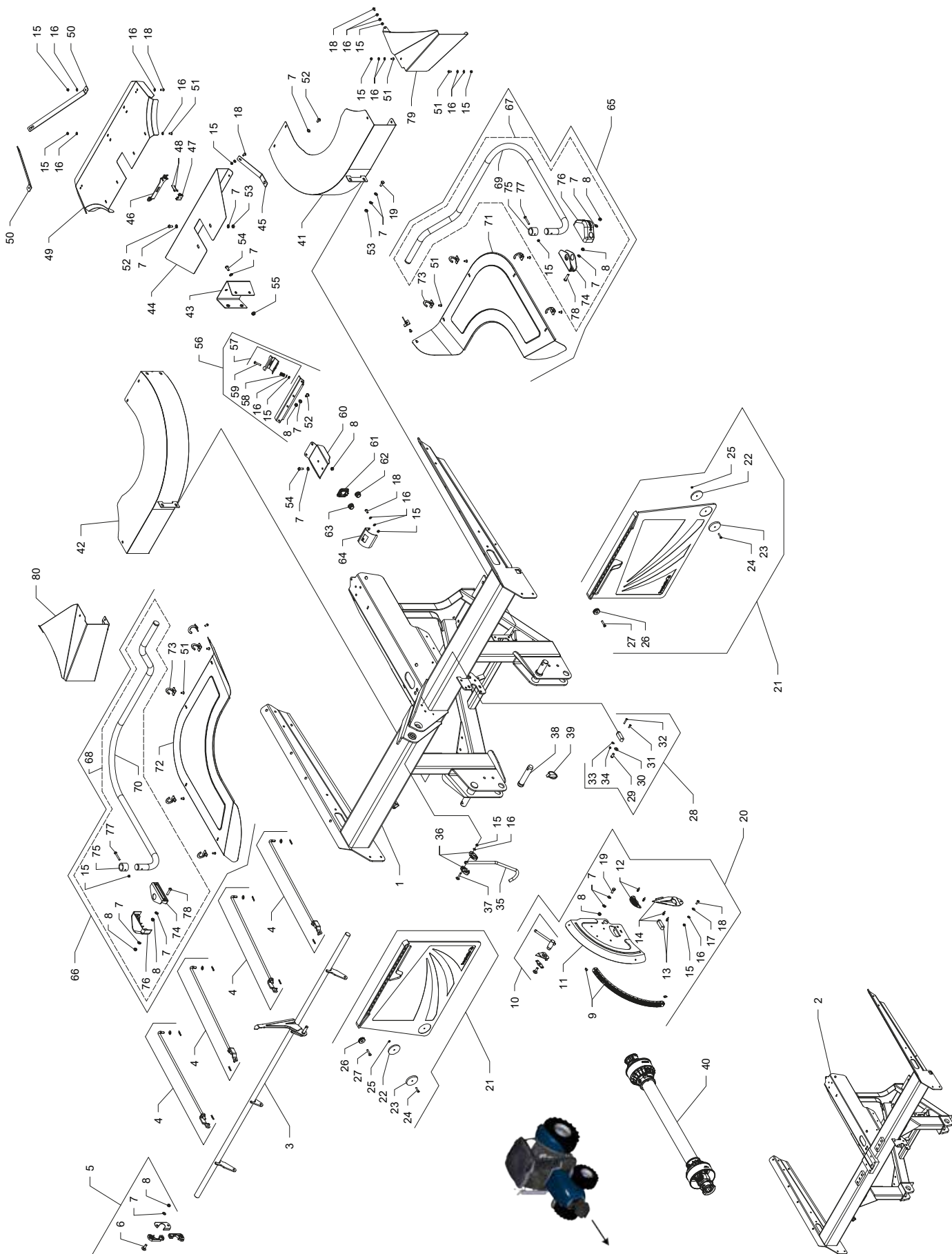
BXL 1300 Hydraulic



BXL 1300 Hydraulic

| Pos | Qty | Part no | Notes |
|------------|------------|----------------|--------------------------------|
| 1 | 1 | 5693-15 | Cylinder L-min=625mm |
| 2 | 1 | 5693-01 | Cylinder 50/30/800 dia.25 |
| 3 | 1 | 9983-25 | Hydr. hose 3/8" 3000mm |
| 4 | 1 | 9983-26 | Hydr. hose 3/8" 3950mm |
| 5 | 2 | 9995-01 | Nipple 3/8"-1/2" |
| 6 | 2 | 9995-05 | Angle connection 90° 3/8" |
| 7 | 1 | 9982-10 | Shock valve "Y" 80-160bar 3/8 |
| 8 | 7 | 9995-02 | Nipple 3/8"-3/8" |
| 9 | 1 | 9983-23 | Hydr. hose 3/8" 520mm |
| 10 | 1 | 9983-22 | Hydr. hose 3/8" 1200mm |
| 11 | 1 | 9983-24 | Hydr. hose 3/8" 1200mm |
| 12 | 2 | 9995-03 | Nipple w/nozzle 1,5mm1/2"x3/8" |
| 13 | 4 | 9983-09 | Quick coupling 1/2", male |
| 14 | 2 | 9982-11 | Case 3/8x3/8" |
| 15 | 4 | 9990-19 | Cover for coupling 1/2" |
| 16 | 2 | 9982-12 | Antidrop valve 3/8" |
| 17 | 8 | 9936-82 | Bonded seals gasket 3/8" |
| 18 | 6 | 9936-80 | Bonded seals gasket 1/2" |

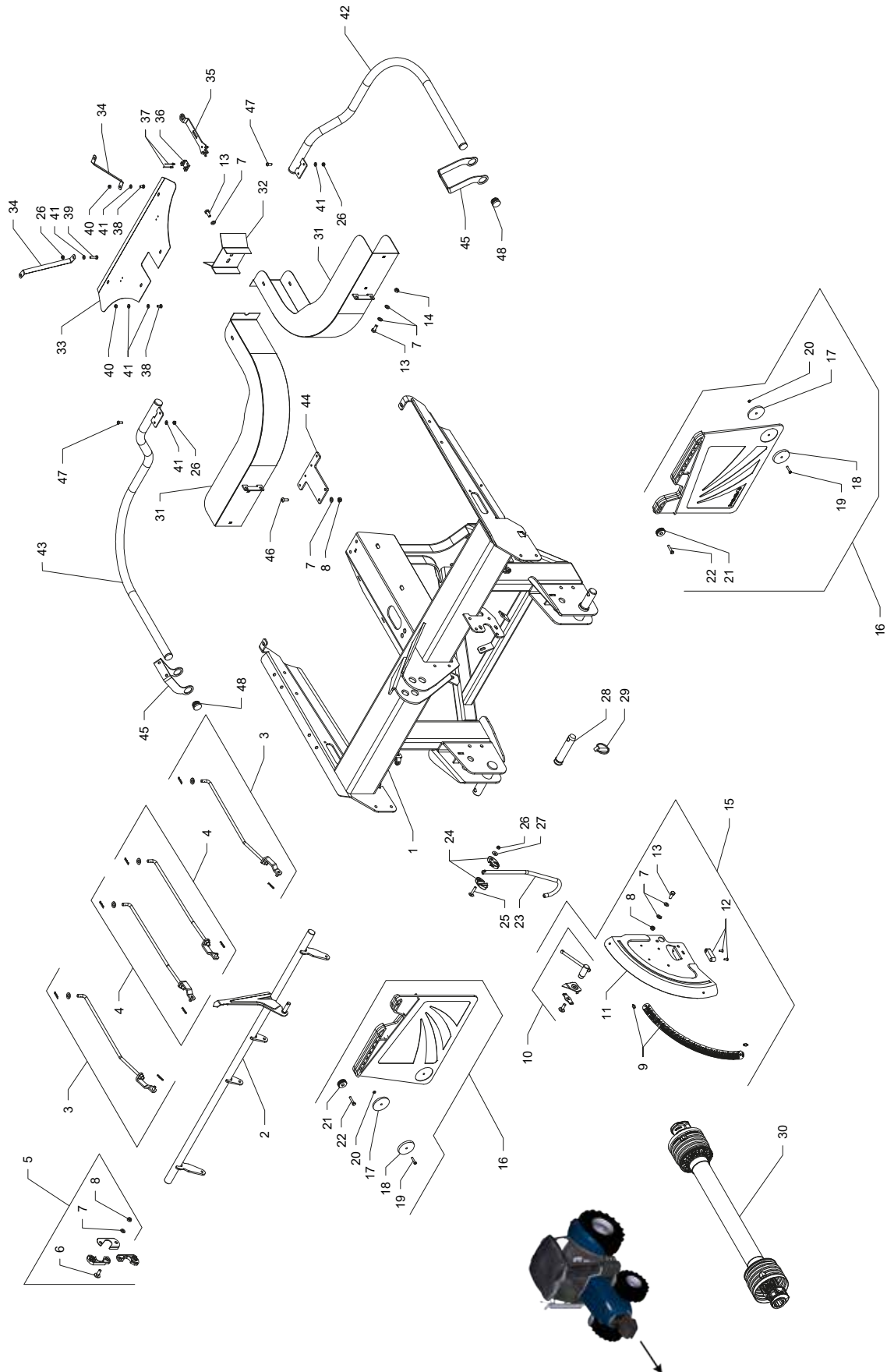
Chassis



Chassis

| Pos | Qty | Part no | Notes | Pos | Qty | Part no | Notes |
|-----|-----|---------|--------------------------------|-----|-----|---------|--------------------------------|
| 1 | 1 | 6820-41 | Frame L20 | 51 | 18 | 9961-20 | Button head M6x12mm, A2 |
| 2 | 1 | 6820-51 | Frame L20W | 52 | 8 | 9962-26 | Button head M8x16mm, A2 |
| 3 | 1 | 6840-41 | Adjustment axle L20(W) | 53 | 6 | 9969-31 | Nut M8, A2 |
| 4 | 4 | 6841-05 | Connection rod compl. L20/L2 | 54 | 4 | 9913-50 | Button head M8x20mm, A2 |
| 5 | 3 | 6340-05 | Plastic bearing w/bolts | 55 | 2 | N/A | Flange nut M8, A2 |
| 6 | 7 | 9962-17 | Carriage bolt M8x25mm, A2 | 56 | 1 | 6231-55 | Fitting w/lock compl. |
| 7 | 40 | 9930-32 | Washer 8,4x16x1,6mm, A2 | 57 | 1 | 6231-58 | Lock f/pipe, compl. |
| 8 | 20 | 9969-32 | Lock nut M8 w/nylon A2 | 58 | 1 | N/A | Spring 2,5x13,5x20,5x5,5V |
| 9 | 1 | 6840-25 | Scale w/rievet L + S-line | 59 | 1 | 9961-33 | Button head M6x30mm, A2 |
| 10 | 1 | 6381-13 | Indicator f/scale cpl. | 60 | 1 | 6830-49 | Bracket for lock/safety guards |
| 11 | 1 | 6840-21 | Scale bow (L-line/S3) | 61 | 1 | 6229-21 | Plastic insert 35x35x5mm |
| 12 | 1 | 6381-18 | Scale for degree | 62 | 1 | 9990-08 | Blind plug f. 3/4" tube |
| 13 | 1 | 6381-17 | Level with rivet | 63 | 1 | 6350-12 | Sleeve for tension rod |
| 14 | 1 | 6381-16 | Degree pointer with level | 64 | 1 | N/A | Deflector plate |
| 15 | 21 | 9969-16 | Lock nut M6 w/nylon A2 | 65 | 1 | 6831-01 | Protection guard set, Left |
| 16 | 33 | 9930-02 | Washer 6,2x12,5x1,6mm, A2 | 66 | 1 | 6831-02 | Protection guard set, right |
| 17 | 1 | 9930-53 | Nylon washer 7,9x15x3,5x1,5 | 67 | 1 | 6830-41 | Safety guard set, left |
| 18 | 9 | 9961-21 | Button head M6x16mm, A2 | 68 | 1 | 6830-42 | Safety guard set, right |
| 19 | 6 | 9962-04 | Screw M8x20mm, A2 | 69 | 1 | 6830-45 | Safety guard L20(W), left |
| 20 | 1 | 6840-20 | Scale bow + scale stop L20/L2 | 70 | 1 | 6830-46 | Safety guard L20(W), right |
| 21 | 2 | 6875-40 | Mud guard w/reflector L20(W) | 71 | 1 | 6831-03 | Protection guard, Left |
| 22 | 2 | 9943-26 | Reflector D R86 dia.60mm red | 72 | 1 | 6831-04 | Protection guard, right |
| 23 | 2 | 9943-27 | Reflector D R86 dia.60mm white | 73 | 10 | 6231-52 | Support f/Protection guard |
| 24 | 2 | 9929-19 | Screw M5x25mm, A2 | 74 | 2 | 6231-47 | Pivot mounting |
| 25 | 2 | 9968-79 | Nut M5, A2 | 75 | 2 | 6231-48 | Bush f/pivot mounting |
| 26 | 2 | 9990-43 | Handwheel dia. 31 for M6 nut | 76 | 2 | N/A | Swivel bracket cover |
| 27 | 2 | 9961-23 | Screw M6x30mm, A2 | 77 | 2 | 9960-08 | Bolt M6x45mm, A2 |
| 28 | 1 | 6381-31 | Reference spirit level kit | 78 | 4 | 9962-27 | Button head M8x35mm A2 |
| 29 | 1 | 6381-32 | Pin f/reference spirit level | 79 | 1 | 6980-76 | Guard left L20(W) |
| 30 | 1 | N/A | Washer f/sieve-hinge L-line | 80 | 1 | 6980-77 | Guard right L20(W) |
| 31 | 1 | 9960-02 | Countersunk screw M4x16mm, A2 | | | | |
| 32 | 1 | 9960-05 | Countersunk screw M4x30mm, A2 | | | | |
| 33 | 1 | 9930-38 | Washer 4,3x12x1mm, A2 | | | | |
| 34 | 1 | 9969-28 | Lock nut M4 w/nylon A2 | | | | |
| 35 | 1 | N/A | Holder for PTO | | | | |
| 36 | 1 | 6830-60 | Clamp set for PTO bracket | | | | |
| 37 | 1 | N/A | Carriage bolt M6x35mm, A2 | | | | |
| 38 | 1 | 6320-04 | Top link pin, dia. 25x97mm | | | | |
| 39 | 1 | 9938-74 | Linch pin 10x45mm | | | | |
| 40 | 1 | 9985-27 | PTO 710mm L20-L2-S2-S3-DZ | | | | |
| 41 | 1 | 6871-41 | Guard f/spreading disc, left | | | | |
| 42 | 1 | 6871-42 | Guard f/spreading disc, right | | | | |
| 43 | 1 | 6871-10 | Fitting f/shield | | | | |
| 44 | 1 | 4473-01 | Guard L20-L2-DZ | | | | |
| 45 | 2 | 4473-02 | Support for guard | | | | |
| 46 | 1 | 6312-45 | Multi-tool | | | | |
| 47 | 1 | 6833-26 | Bracket for Multitool | | | | |
| 48 | 2 | N/A | Rivet Ø3,2x6,4 | | | | |
| 49 | 1 | 6871-12 | Guard stainless steel L20(W) | | | | |
| 50 | 2 | 6874-03 | Support for guard L20/L2 | | | | |

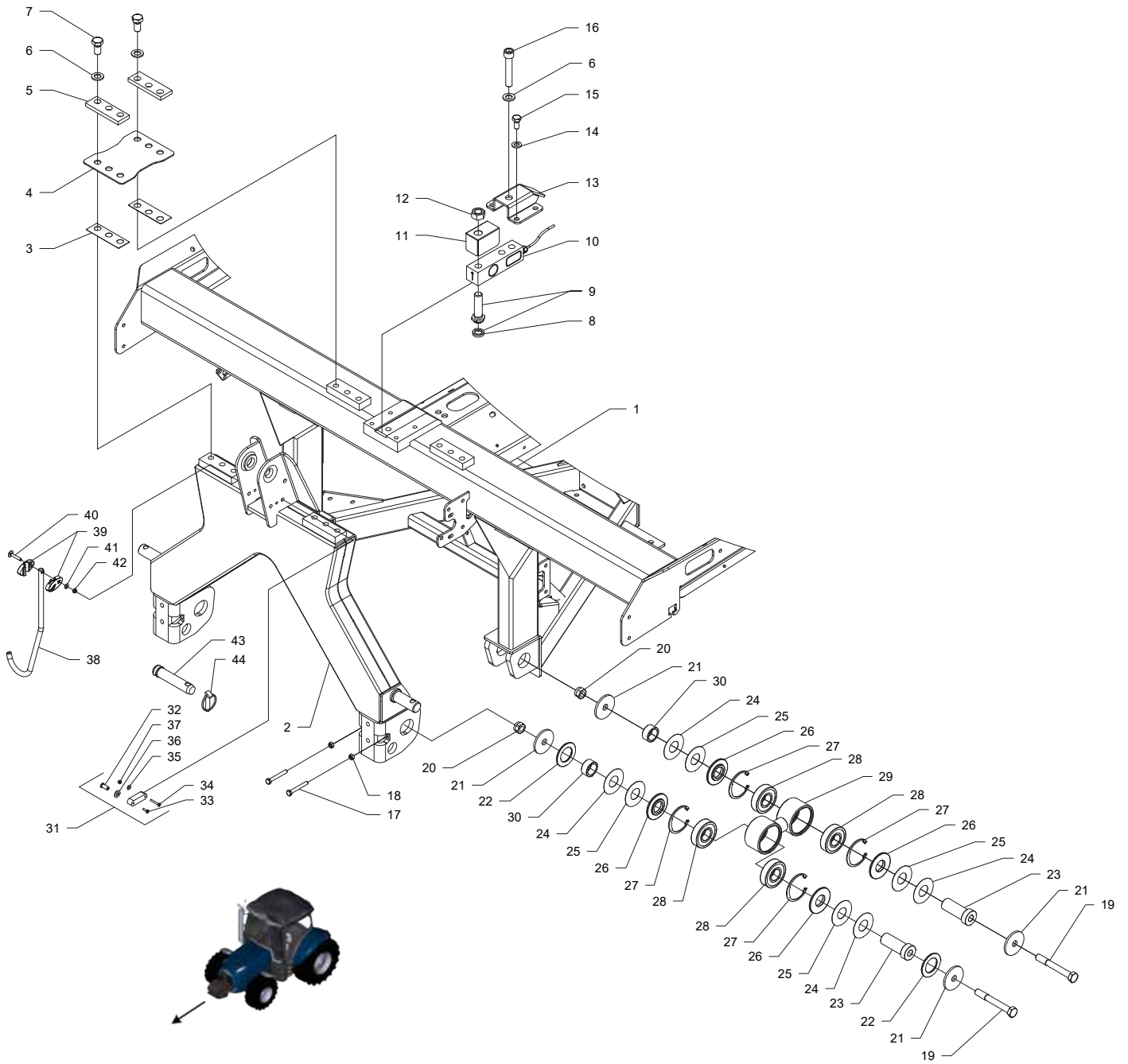
Chassis



Chassis

| Pos | Qty | Part no | Notes |
|-----|-----|---------|--------------------------------|
| 1 | 1 | 6720-41 | Frame L15 |
| 2 | 1 | 6740-41 | Adjustment axle L15 |
| 3 | 2 | 6741-45 | Connecting rod w/link L15 |
| 4 | 2 | 6741-46 | Connecting rod w/link L15 |
| 5 | 3 | 6340-05 | Plastic bearing w/bolts |
| 6 | 7 | 9962-17 | Carriage bolt M8x25mm, A2 |
| 7 | 22 | 9930-32 | Washer 8,4x16x1,6mm, A2 |
| 8 | 10 | 9969-32 | Lock nut M8 w/nylon A2 |
| 9 | 1 | 6840-25 | Scale w/rivet L + S-line |
| 10 | 1 | 6381-13 | Indicator f/scale cpl. |
| 11 | 1 | 6840-21 | Scale bow (L-line/S3) |
| 12 | 1 | 6381-17 | Level with rivet |
| 13 | 8 | 9962-04 | Screw M8x20mm, A2 |
| 14 | 4 | 9969-31 | Nut M8, A2 |
| 15 | 1 | 6740-20 | Scale bow w/scale stop |
| 16 | 2 | 6775-40 | Mud guard w/reflector L15 |
| 17 | 2 | 9943-26 | Reflector D R86 dia.60mm red |
| 18 | 2 | 9943-27 | Reflector D R86 dia.60mm white |
| 19 | 2 | 9929-19 | Screw M5x25mm, A2 |
| 20 | 2 | 9968-79 | Nut M5, A2 |
| 21 | 2 | 9990-43 | Handwheel dia. 31 for M6 nut |
| 22 | 2 | 9961-23 | Screw M6x30mm, A2 |
| 23 | 1 | N/A | Holder for PTO |
| 24 | 1 | 6830-60 | Clamp set for PTO bracket |
| 25 | 1 | N/A | Carriage bolt M6x35mm, A2 |
| 26 | 6 | 9969-16 | Lock nut M6 w/nylon A2 |
| 27 | 1 | 9930-03 | Washer 6,4x18x1,6mm, A2 |
| 28 | 1 | 6320-04 | Top link pin, dia. 25x97mm |
| 29 | 1 | 9938-74 | Linch pin 10x45mm |
| 30 | 1 | 9985-26 | PTO 660mm L15 |
| 31 | 2 | 6771-41 | Guard,spreading disc,stainless |
| 32 | 1 | 6171-09 | Fitting for guard |
| 33 | 1 | 6174-01 | Shield |
| 34 | 2 | 6174-02 | Support for guard |
| 35 | 1 | 6312-45 | Multi-tool |
| 36 | 1 | 6833-26 | Bracket for Multitool |
| 37 | 2 | N/A | Rivet Ø3,2x6,4 |
| 38 | 3 | 9961-11 | Screw M6x12mm A2 |
| 39 | 1 | 9961-14 | Screw M6x25mm, A2 |
| 40 | 3 | 9969-15 | Nut M6, A2 |
| 41 | 10 | 9930-02 | Washer 6,2x12,5x1,6mm, A2 |
| 42 | 1 | 6730-45 | Safety guard, left |
| 43 | 1 | 6730-46 | Safety guard, right |
| 44 | 1 | N/A | |
| 45 | 2 | N/A | |
| 46 | 2 | 9913-50 | Button head M8x20mm, A2 |
| 47 | 4 | 9961-21 | Button head M6x16mm, A2 |
| 48 | 2 | 9990-12 | Cover DPD 28 01 |

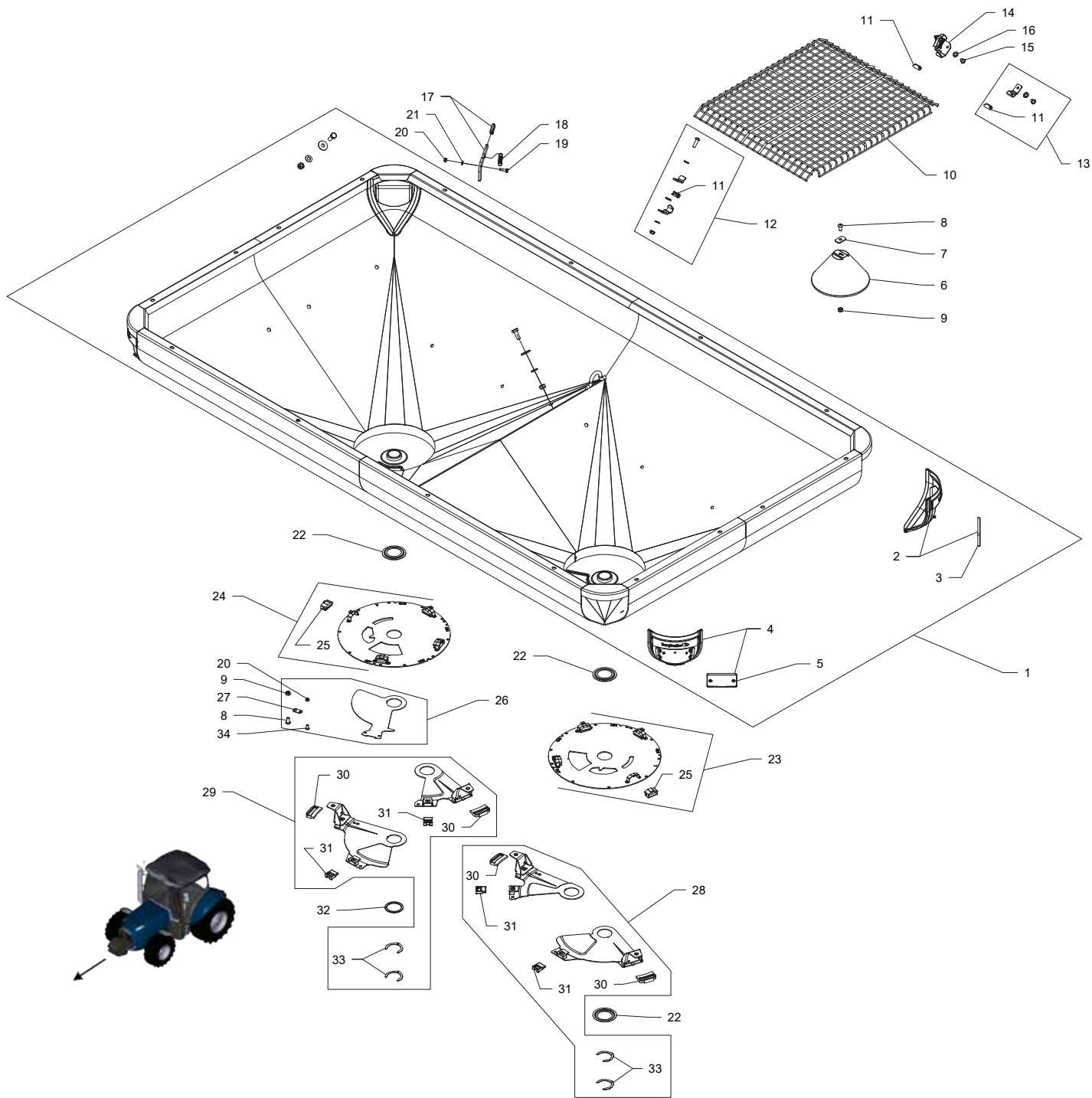
Weighing frame



Weighing frame

| Pos | Qty | Part no | Notes |
|-----|-----|---------|--------------------------------|
| 1 | 1 | 6820-51 | Frame L20W |
| 2 | 1 | 6822-30 | Front frame loose L20W/L2W |
| 3 | 4 | 6220-27 | Friction plate for spring |
| 4 | 2 | 6220-25 | Spring for frame, M35W/M2W |
| 5 | 4 | 6220-26 | Clamp f/spring M35W/M2W |
| 6 | 13 | 9930-20 | Washer 17x30x3mm, A2 |
| 7 | 12 | 9964-71 | Screw M16x30mm, kl.80 A4 |
| 8 | 1 | 9936-27 | V-ring VA 0022 |
| 9 | 1 | 6320-28 | Bolt f/load cell complete |
| 10 | 1 | 9942-33 | Load cell 6 tonne w/wire |
| 11 | 1 | 6822-46 | Protection guard for load cell |
| 12 | 1 | 9968-97 | Steel nut M20, A2 |
| 13 | 1 | 6822-45 | Guard for load cell |
| 14 | 4 | 9930-35 | Washer 13x24x2,5mm, A2 |
| 15 | 4 | 9964-43 | Screw M12x25mm A2 |
| 16 | 1 | 9913-41 | Screw M16x90mm, 12.9 |
| 17 | 4 | 9962-22 | Set screw M8x60mm, A2 |
| 18 | 4 | 9969-31 | Nut M8, A2 |
| 19 | 4 | 9964-79 | Steel bolt M16x120mm, A2 |
| 20 | 4 | 9969-84 | Lock nut M16 w/nylon A2 |
| 21 | 8 | 6220-34 | Washer |
| 22 | 4 | 6820-30 | Adjusting screw 3mm L2W |
| 23 | 4 | 6220-35 | Shaft for tilt part |
| 24 | 4 | 6220-38 | Adjusting disc 0,5mm |
| 25 | 4 | 6220-37 | Adjusting disc 1mm |
| 26 | 8 | 6220-33 | End washer f/bearing |
| 27 | 8 | 9937-45 | Locking ring I 72 |
| 28 | 8 | 9950-05 | Ball bearing 6306-2RS |
| 29 | 2 | 6220-30 | Tilt part M35W/M2W/L2W |
| 30 | 4 | 6220-36 | Bush for shaft |
| 31 | 1 | 6381-31 | Reference spirit level kit |
| 32 | 1 | 6381-32 | Pin f/reference spirit level |
| 33 | 1 | 9960-02 | Countersunk screw M4x16mm, A2 |
| 34 | 1 | 9960-05 | Countersunk screw M4x30mm, A2 |
| 35 | 1 | 9930-38 | Washer 4,3x12x1mm, A2 |
| 36 | 1 | N/A | Washer f/sieve-hinge L-line |
| 37 | 1 | 9969-28 | Lock nut M4 w/nylon A2 |
| 38 | 1 | N/A | Holder for PTO |
| 39 | 1 | 6830-60 | Clamp set for PTO bracket |
| 40 | 1 | N/A | Carriage bolt M6x35mm, A2 |
| 41 | 1 | 9930-02 | Washer 6,2x12,5x1,6mm, A2 |
| 42 | 1 | 9969-16 | Lock nut M6 w/nylon A2 |
| 43 | 1 | 6320-04 | Top link pin, dia. 25x97mm |
| 44 | 1 | 9938-74 | Linch pin 10x45mm |

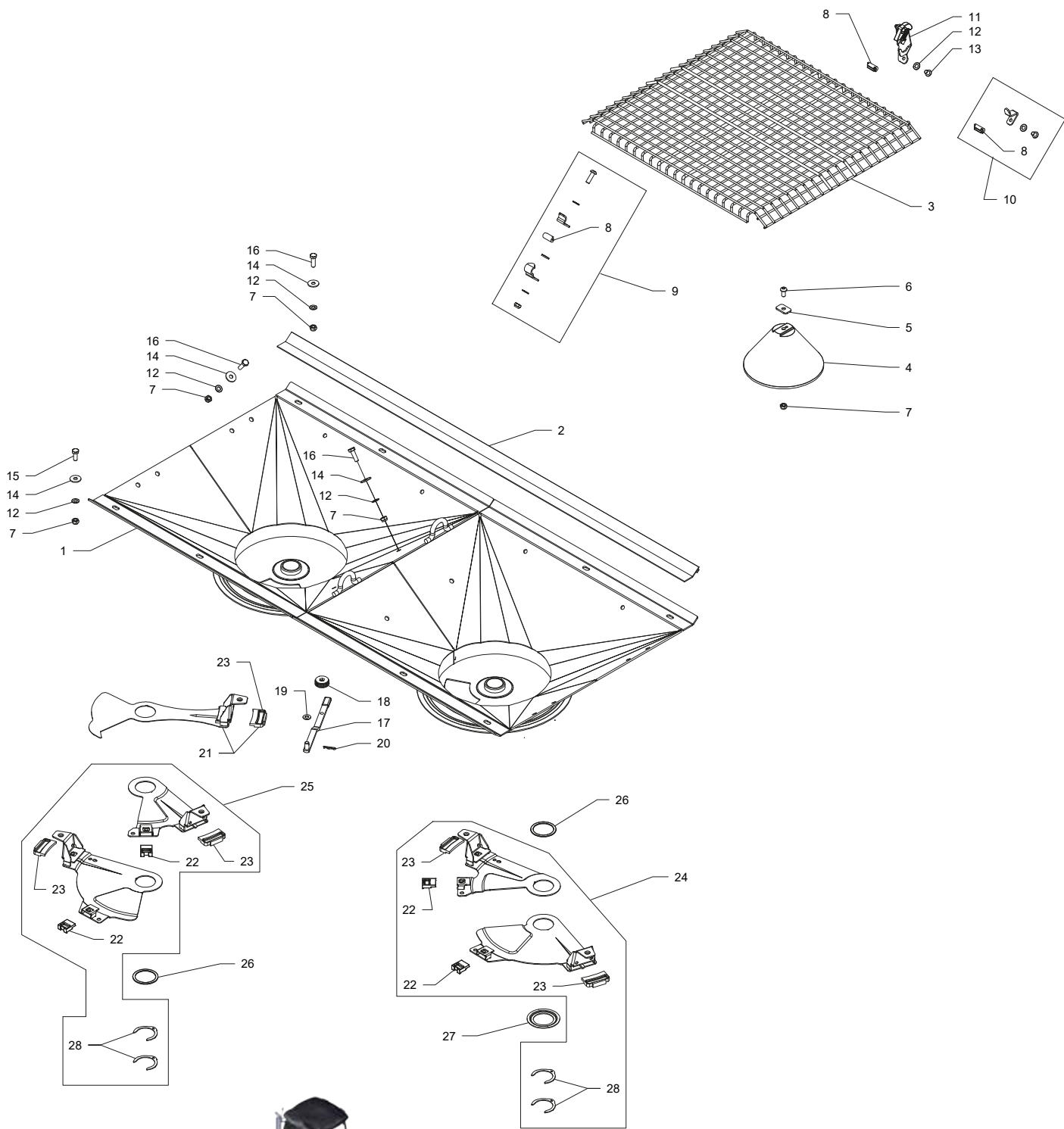
Hopper with outlet shutters



Hopper with outlet shutters

| Pos | Qty | Part no | Notes |
|-----|-----|---------|--------------------------------|
| 1 | 1 | 6810-40 | Hopper with bolts L20(W) |
| 2 | 2 | 6311-30 | Plastic corner/red reflector |
| 3 | 2 | 9943-32 | Reflector red, plasticcorner |
| 4 | 2 | 6311-31 | Plastic corner/white reflector |
| 5 | 2 | 9943-33 | Reflector white, plasticcorner |
| 6 | 2 | 6716-01 | Relief cone L-line |
| 7 | 2 | 6716-05 | Lock for cone |
| 8 | 3 | 9962-26 | Button head M8x16mm, A2 |
| 9 | 7 | 9969-32 | Lock nut M8 w/nylon A2 |
| 10 | 2 | 6713-42 | Screen L-line |
| 11 | 8 | 6713-10 | Plastic hinge f/screen L-line |
| 12 | 4 | 6713-13 | Hinge f/sieve w/bearing/bolts |
| 13 | 2 | 6813-12 | Hinge w/bolts f/sieve |
| 14 | 2 | 6813-30 | Screen lock cpl. L2(W) |
| 15 | 4 | 9962-18 | Bolt M8x10mm A2 |
| 16 | 12 | 9930-32 | Washer 8,4x16x1,6mm, A2 |
| 17 | 2 | 6310-51 | Lock handel, Dual |
| 18 | 2 | 9934-13 | Spring 1,5x11x32mm |
| 19 | 2 | 9961-12 | Screw M6x20mm, A2 |
| 20 | 3 | 9969-16 | Lock nut M6 w/nylon A2 |
| 21 | 2 | 9930-02 | Washer 6,2x12,5x1,6mm, A2 |
| 22 | 3 | 4512-12 | Disc for bottom plate |
| 23 | 1 | 6812-38 | Turnable plate w/block, L |
| 24 | 1 | 6812-39 | Turnable plate w/block, R |
| 25 | 8 | 4512-11 | Sliding block, PA 6 black |
| 26 | 1 | 6312-65 | Shutter 1side closing cpl.Dual |
| 27 | 1 | 6312-17 | Lochplate f/shutter M-Line |
| 28 | 1 | 6312-53 | Shutter kit Dual, left |
| 29 | 1 | 6312-54 | Shutter kit Dual, right |
| 30 | 4 | 4412-20 | Sliding plate, big |
| 31 | 4 | 4412-21 | Sliding plate, small |
| 32 | 1 | 4012-11 | Washer |
| 33 | 4 | 4511-06 | Safety lock |
| 34 | 1 | 9961-20 | Button head M6x12mm, A2 |

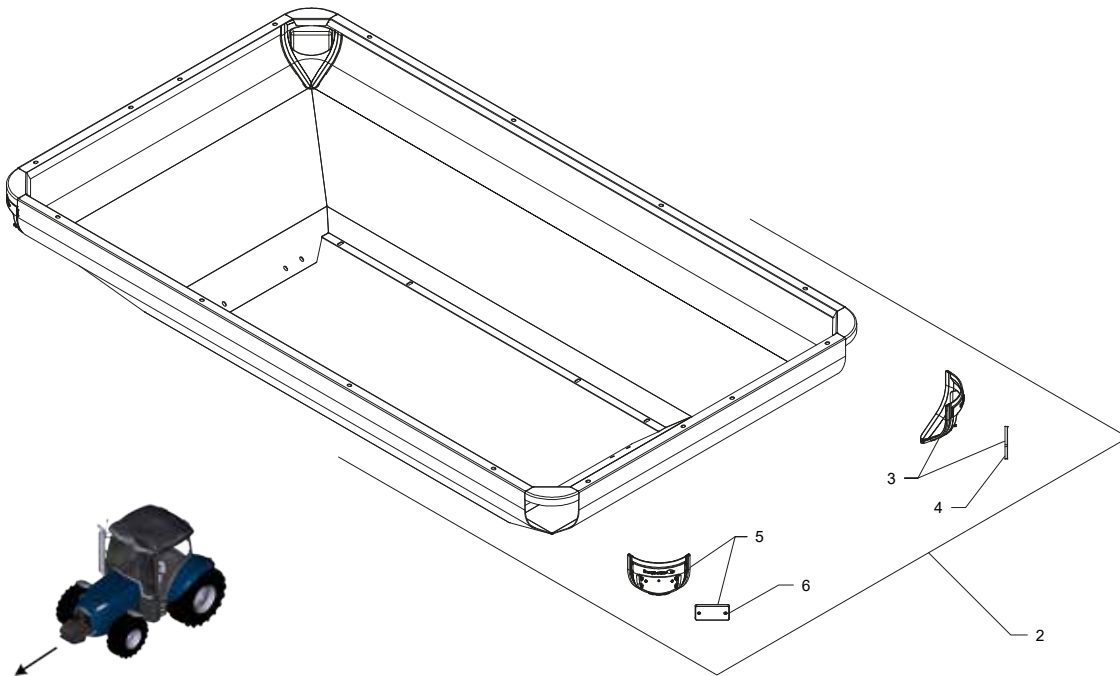
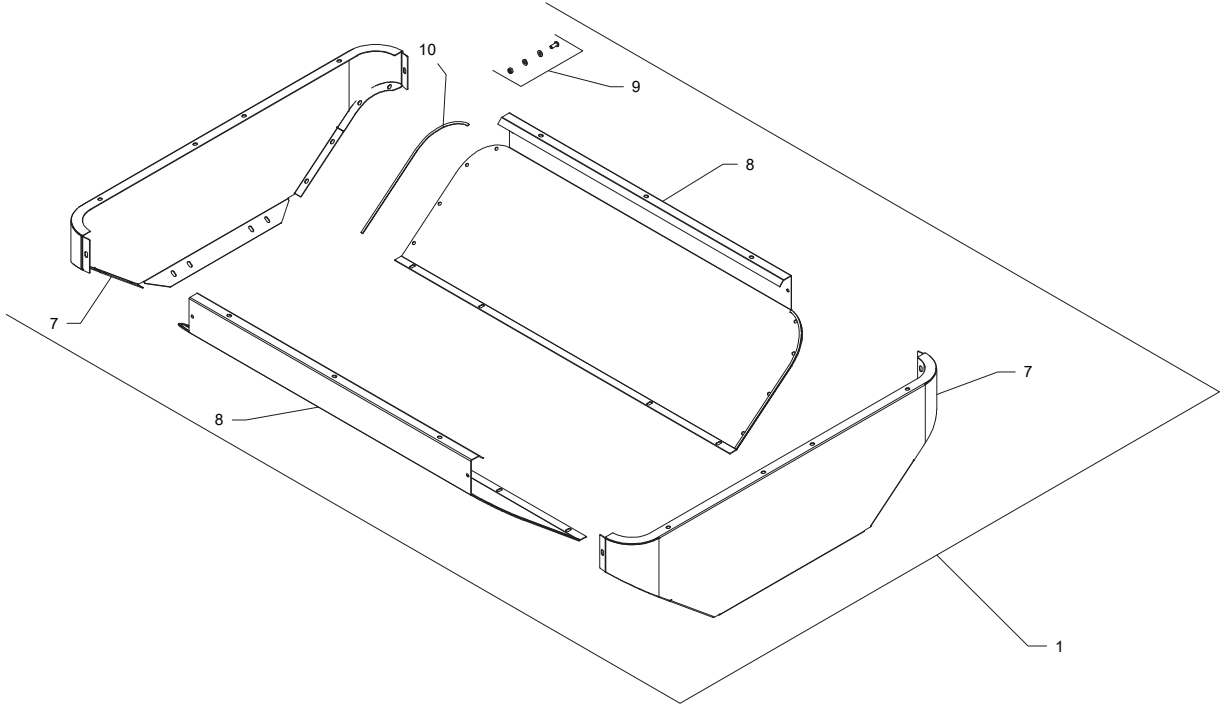
Hopper with outlet shutters



Hopper with outlet shutters

| Pos | Qty | Part no | Notes |
|-----|-----|---------|-------------------------------|
| 1 | 1 | 6710-45 | Hopper L15 |
| 2 | 2 | 6710-03 | Border 1280mm L15/L1 yellow |
| 3 | 2 | 6713-42 | Screen L-line |
| 4 | 2 | 6716-01 | Relief cone L-line |
| 5 | 2 | 6716-05 | Lock for cone |
| 6 | 2 | 9962-26 | Button head M8x16mm, A2 |
| 7 | 26 | 9969-32 | Lock nut M8 w/nylon A2 |
| 8 | 8 | 6713-10 | Plastic hinge f/screen L-line |
| 9 | 4 | 6713-13 | Hinge f/sieve w/bearing/bolts |
| 10 | 2 | 6713-12 | Hinge w/bolts f/sieve |
| 11 | 2 | 6713-30 | Screen lock cpl. L15/L1 |
| 12 | 32 | 9930-32 | Washer 8,4x16x1,6mm, A2 |
| 13 | 4 | 9962-18 | Button head M8x10mm, A2 |
| 14 | 20 | 9930-31 | Washer 8,4x24x2mm, A2 |
| 15 | 4 | 9962-04 | Screw M8x20mm, A2 |
| 16 | 16 | 9962-05 | Screw M8x25mm, A2 |
| 17 | 1 | 6112-01 | Connection rod f/bulkhead |
| 18 | 1 | 9990-43 | Handwheel dia. 31 for M6 nut |
| 19 | 1 | 9930-51 | Nylon washer 8,4x17x1,6mm |
| 20 | 1 | 9934-31 | Lock spring 1,75/94mm |
| 21 | 1 | 6712-66 | Shutter 1-side closing L1/L15 |
| 22 | 4 | 4412-21 | Sliding plate, small |
| 23 | 5 | 4412-20 | Sliding plate, big |
| 24 | 1 | 6312-53 | Shutter kit Dual, left |
| 25 | 1 | 6312-54 | Shutter kit Dual, right |
| 26 | 2 | 4012-11 | Washer |
| 27 | 1 | 4512-12 | Disc for bottom plate |
| 28 | 4 | 4511-06 | Safety lock |

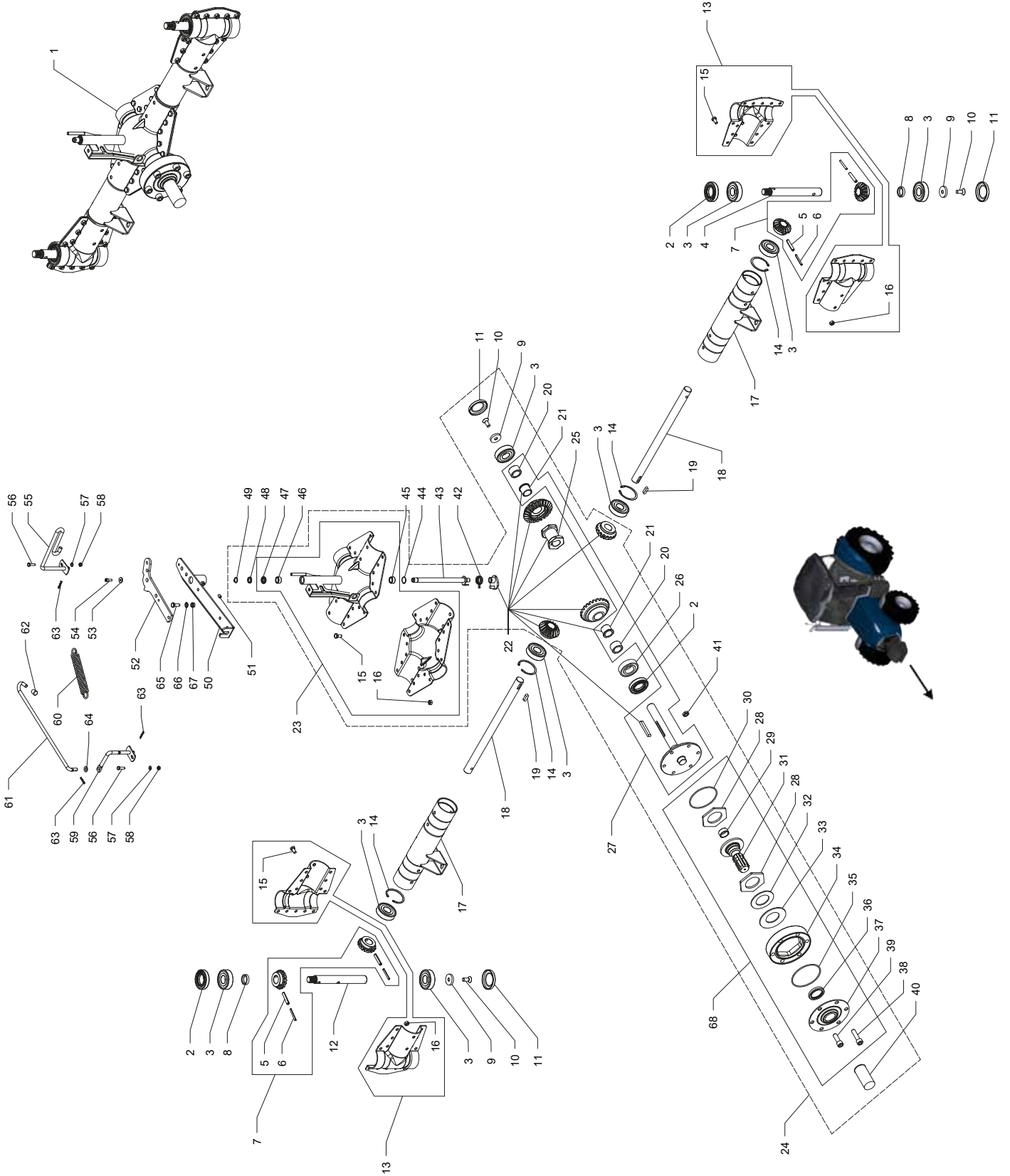
Hopper



Hopper

| Pos | Qty | Part no | Notes |
|------------|------------|----------------|--------------------------------|
| 1 | 1 | 6711-02 | L15/L1 base hopper |
| 2 | 1 | 6711-21 | Hopper 700L plus L15/L1 |
| 3 | 2 | 6311-30 | Plastic corner/red reflector |
| 4 | 2 | 9943-32 | Reflector red, plasticcorner |
| 5 | 2 | 6311-31 | Plastic corner/white reflector |
| 6 | 2 | 9943-33 | Reflector white, plasticcorner |
| 7 | 2 | 6711-38 | End piece L15/L1 base |
| 8 | 2 | 6711-41 | Front/back piece L15/L1 base |
| 9 | 1 | 6711-03 | Bag w/bolts L15/L1 base |
| 10 | 1 | 6711-42 | Tightening for hopper |

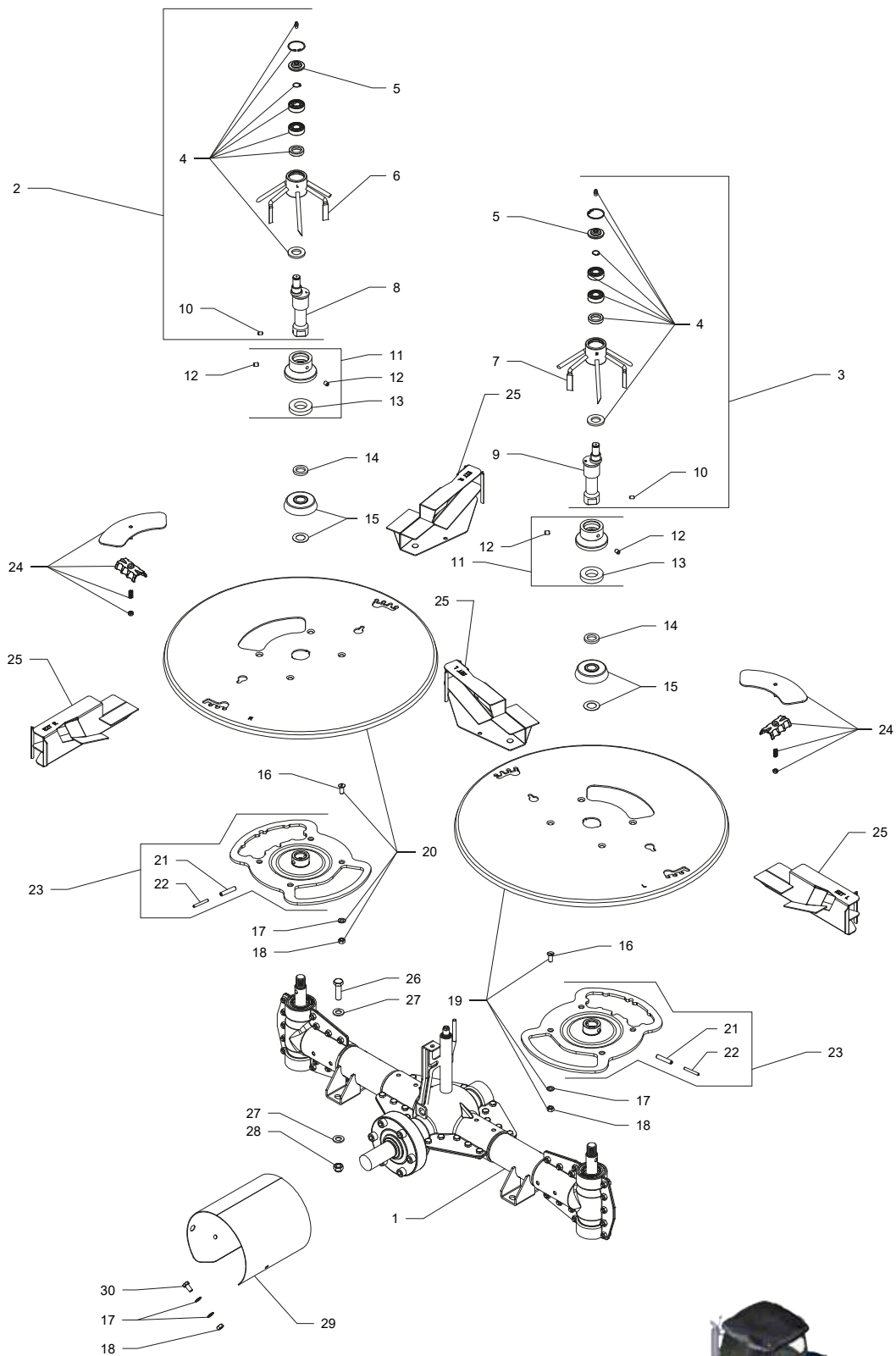
Transmission



Transmission

| Pos | Qty | Part no | Notes | Pos | Qty | Part no | Notes |
|-----|-----|---------|--------------------------------|-----|-----|---------|--------------------------------|
| 1 | 1 | 6850-02 | Transmission L20(W)/L2(W) | 51 | 1 | 9913-19 | Socket set screw M8x10mm, A2 |
| 2 | 3 | 9936-37 | Tightening ring 35x62x12mm,NBR | 52 | 1 | 4653-15 | Shift arm f/Trend |
| 3 | 9 | 9950-02 | Ball bearing 6305-2RS | 53 | 1 | 9930-07 | Washer 6,4x17x3mm, A2 |
| 4 | 1 | 4155-04 | Exit shaft with right thread | 54 | 1 | 9961-24 | Screw M6x16, A2 kl.70 |
| 5 | 4 | 9933-12 | Tension pin 8x45mm | 55 | 1 | 4690-05 | Arm for spring |
| 6 | 4 | 9933-17 | Tension pin 5x45mm | 56 | 2 | 9961-12 | Screw M6x20mm, A2 |
| 7 | 2 | 3265-02 | Gear wheels w/pins | 57 | 2 | 9930-02 | Washer 6,2x12,5x1,6mm, A2 |
| 8 | 2 | 3262-05 | Spacer f/gear wheel | 58 | 2 | 9969-16 | Lock nut M6 w/nylon A2 |
| 9 | 3 | 3260-04 | Washer | 59 | 1 | 6350-08 | Shift arm |
| 10 | 3 | 9963-07 | Countersunk screw M10x25 | 60 | 1 | 9934-07 | Spring 3,6x25x162mm, A2 |
| 11 | 3 | 3260-05 | Lid f/gear box | 61 | 1 | 6350-11 | Pull rod M-line |
| 12 | 1 | 4062-05 | Exit shaft w/left thread | 62 | 1 | 9990-26 | Rubberbutton, black DPU 080 01 |
| 13 | 2 | 4454-05 | Gear housing | 63 | 3 | 9934-31 | Lock spring 1,75/94mm |
| 14 | 4 | 9937-40 | Locking ring I 60 | 64 | 1 | 9930-51 | Nylon washer 8,4x17x1,6mm |
| 15 | 46 | 9962-03 | Screw M8x16mm, A2 | 65 | 1 | 9962-04 | Screw M8x20mm, A2 |
| 16 | 46 | 9969-31 | Nut M8, A2 | 66 | 1 | 9930-32 | Washer 8,4x16x1,6mm, A2 |
| 17 | 2 | 4457-02 | Bearing tube f/L20-L2-DZ-S2T | 67 | 1 | 9969-32 | Lock nut M8 w/nylon A2 |
| 18 | 2 | 4456-02 | Middle axle for L20-L2-DZ | 68 | 1 | 3263-10 | Friction clutch cpl. M-L-line |
| 19 | 2 | 9931-56 | Key 8x7x25mm, round | | | | |
| 20 | 2 | 4652-03 | Spacer | | | | |
| 21 | 2 | 4652-08 | Bronze bushing | | | | |
| 22 | 1 | 4652-11 | Set of gear wheels | | | | |
| 23 | 1 | 4660-00 | Gear housing cpl. M-Trend-line | | | | |
| 24 | 1 | 4750-50 | Trend transmission repair set | | | | |
| 25 | 1 | 4652-09 | Shift sleeve Trend | | | | |
| 26 | 1 | 9950-03 | Ball bearing 6206-2RS | | | | |
| 27 | 1 | 4652-01 | Drive shaft w/key and sleeve | | | | |
| 28 | 2 | 3263-15 | Clutch part 6-edged NV 80 | | | | |
| 29 | 1 | 9990-90 | Bronze bearing 30x25x13mm | | | | |
| 30 | 1 | 9936-10 | O-ring 89,50x3mm, NBR 70 | | | | |
| 31 | 1 | 3263-11 | 6-groove f/clutch | | | | |
| 32 | 1 | 3263-12 | Divide washer | | | | |
| 33 | 1 | 9931-11 | Disc washer 90x46x3mm | | | | |
| 34 | 1 | 3263-20 | Disc lock for clutch | | | | |
| 35 | 1 | 9936-09 | O-ring 94x3mm, NBR 70 | | | | |
| 36 | 1 | 9936-49 | Tightening ring 38x52x7mm, NBR | | | | |
| 37 | 1 | 3263-13 | Front plate f/clutch | | | | |
| 38 | 2 | 9965-10 | Screw cyl.head M12x45mm, A2 | | | | |
| 39 | 4 | 9965-09 | Screw cyl.head M12x35mm, A2 | | | | |
| 40 | 1 | 9985-84 | PTO protection for 1 3/8" | | | | |
| 41 | 2 | 9928-99 | Counter nut M12, A2 | | | | |
| 42 | 1 | 9934-02 | Torsion spring Trend Quadro | | | | |
| 43 | 1 | 4653-02 | Shaft for excentric | | | | |
| 44 | 1 | 9931-15 | Wave spring 21,8x14x0,3mm, K2 | | | | |
| 45 | 1 | 9990-99 | Bronze bushing 14x20x10mm | | | | |
| 46 | 1 | 9987-21 | Sleeve IGUS MSM-1420-10 | | | | |
| 47 | 1 | 9936-29 | Tightening ring 14x22x4mm, NBR | | | | |
| 48 | 1 | 9936-28 | V-ring VS 14 | | | | |
| 49 | 1 | 9937-13 | Locking ring U 14, A2 | | | | |
| 50 | 1 | 4655-05 | Support for cable | | | | |

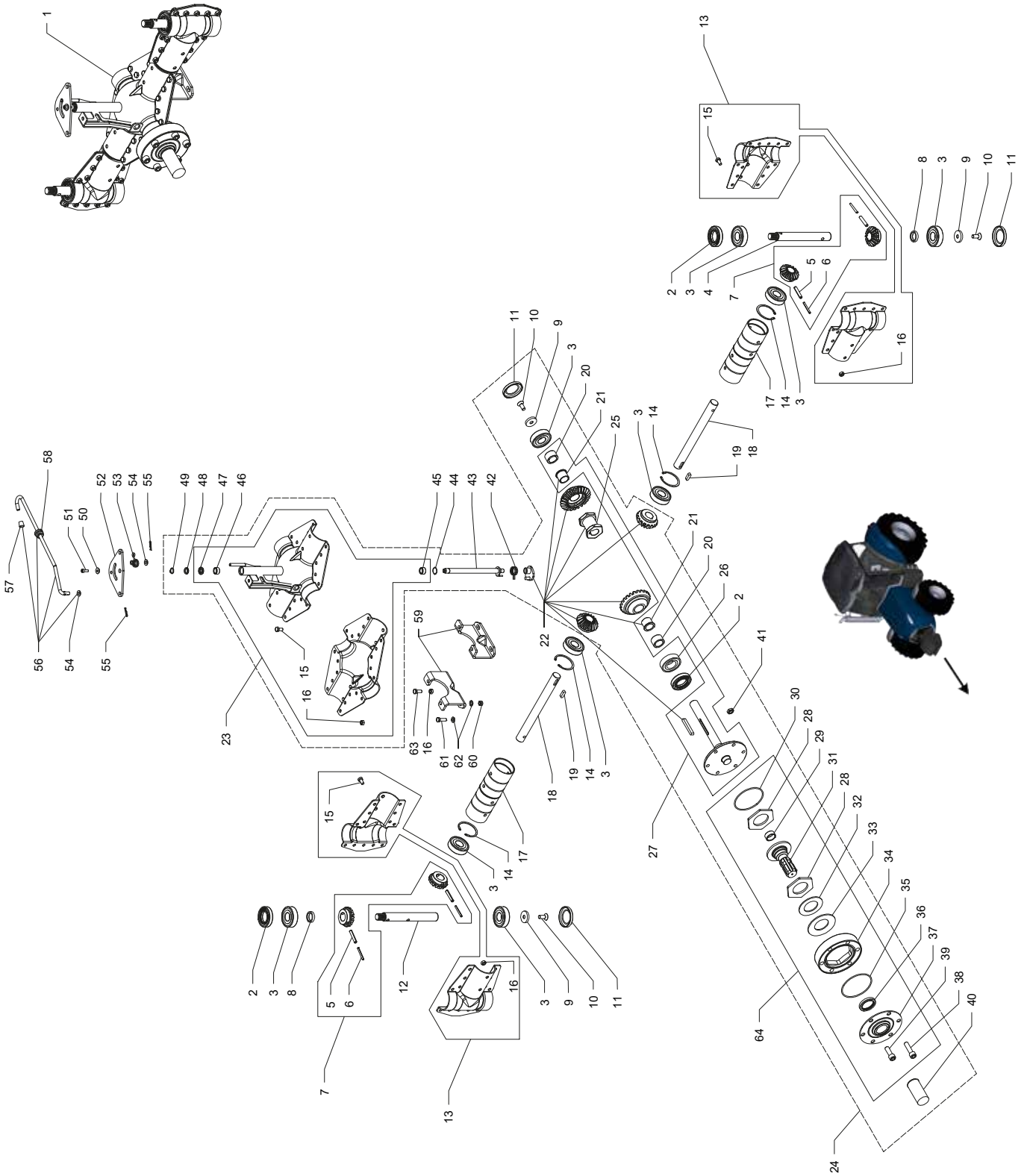
Spreading system



Spreading system

| Pos | Qty | Part no | Notes |
|-----|-----|---------|---------------------------------|
| 1 | 1 | 6850-02 | Transmission L20(W)/L2(W) |
| 2 | 1 | 6260-02 | Agitator cpl. R-side/L-thread |
| 3 | 1 | 6260-01 | Agitator cpl. L-side/R-thread |
| 4 | 2 | 6260-10 | Gasket set & bearing f/agitator |
| 5 | 2 | 4056-03 | Cover f/bearing housing |
| 6 | 1 | 6262-06 | Agitator R-side/L |
| 7 | 1 | 6262-05 | Agitator L-side/R |
| 8 | 1 | 6261-01 | Shaft/agitator R-side/L-thread |
| 9 | 1 | 6261-02 | Shaft/agitator L-side/R-thread |
| 10 | 2 | 9961-02 | Socket set screw M6x10mm, A2 |
| 11 | 2 | 4158-05 | Hub f/agitator |
| 12 | 4 | 9913-19 | Socket set screw M8x10mm, A2 |
| 13 | 2 | 4158-10 | Tightening for agitator |
| 14 | 2 | 4560-01 | Washer for agitator |
| 15 | 2 | 6251-46 | Sealing bowl with seal |
| 16 | 8 | 9929-35 | Countersunk screw M8x20mm, A2 |
| 17 | 12 | 9930-32 | Washer 8,4x16x1,6mm, A2 |
| 18 | 10 | 9969-31 | Nut M8, A2 |
| 19 | 1 | 6250-45 | Spread disc (L) Dual M-line |
| 20 | 1 | 6250-46 | Spread disc (R) Dual M-line |
| 21 | 2 | 9933-02 | Tension pin 8x40mm |
| 22 | 2 | 9933-11 | Tension pin 5x40mm |
| 23 | 2 | 6251-40 | Hub w/tension pin, Dual |
| 24 | 2 | 6250-55 | Lid w/lock |
| 25 | 1 | 4650-12 | Vanes E1-T 12-18m |
| 25 | 1 | 4650-20 | Vanes E2-T 20-24m |
| 25 | 1 | 4650-28 | Vanes E6-T 28-36m |
| 25 | 1 | 4650-36 | Vanes E8-T 40-42m |
| 26 | 4 | 9965-05 | Screw M12x40mm, A2 |
| 27 | 8 | 9930-35 | Washer 13x24x2,5mm, A2 |
| 28 | 4 | 9969-62 | Lock nut M12 w/nylon A4 |
| 29 | 1 | 4470-01 | Guard for safety clutch |
| 30 | 2 | 9962-03 | Screw M8x16mm, A2 |

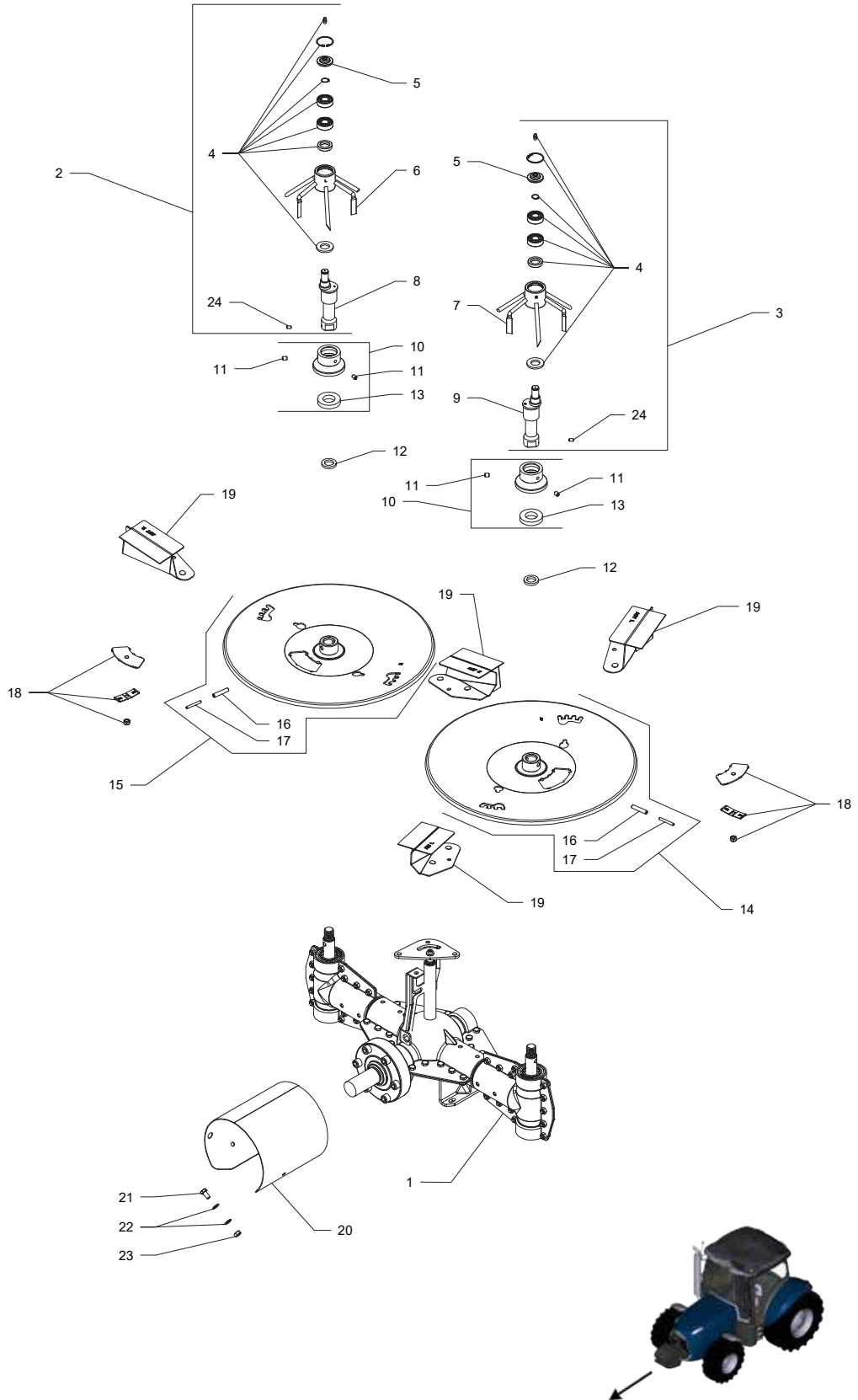
Transmission



Transmission

| Pos | Qty | Part no | Notes | Pos | Qty | Part no | Notes |
|-----|-----|---------|--------------------------------|-----|-----|---------|--------------------------------|
| 1 | 1 | 6750-02 | Transmission L15-L1-M1 | 51 | 1 | 9961-24 | Screw M6x16, A2 kl.70 |
| 2 | 3 | 9936-37 | Tightening ring 35x62x12mm,NBR | 52 | 1 | N/A | Shift arm w/pin, Trend |
| 3 | 9 | 9950-02 | Ball bearing 6305-2RS | 53 | 1 | 9934-01 | Spring f/handle 2,5mm A2 |
| 4 | 1 | 4155-04 | Exit shaft with right thread | 54 | 2 | 9930-51 | Nylon washer 8,4x17x1,6mm |
| 5 | 4 | 9933-12 | Tension pin 8x45mm | 55 | 2 | 9934-31 | Lock spring 1,75/94mm |
| 6 | 4 | 9933-17 | Tension pin 5x45mm | 56 | 2 | 6850-11 | Tension rod L20(W)/L2(W) |
| 7 | 2 | 3265-02 | Gear wheels w/pins | 57 | 1 | 9990-26 | Rubberbutton, black DPU 080 01 |
| 8 | 2 | 3262-05 | Spacer f/gear wheel | 58 | 1 | 6350-12 | Sleeve for tension rod |
| 9 | 3 | 3260-04 | Washer | 59 | 2 | 6750-04 | U-guard for transmission |
| 10 | 3 | 9963-07 | Countersunk screw M10x25 | 60 | 4 | 9969-32 | Lock nut M8 w/nylon A2 |
| 11 | 3 | 3260-05 | Lid f/gear box | 61 | 4 | 9962-05 | Screw M8x25mm, A2 |
| 12 | 1 | 4062-05 | Exit shaft w/left thread | 62 | 8 | 9930-32 | Washer 8,4x16x1,6mm, A2 |
| 13 | 2 | 4454-05 | Gear housing | 63 | 4 | 9962-04 | Screw M8x20mm, A2 |
| 14 | 4 | 9937-40 | Locking ring I 60 | 64 | 1 | 3263-10 | Friction clutch cpl. M-L-line |
| 15 | 42 | 9962-03 | Screw M8x16mm, A2 | | | | |
| 16 | 46 | 9969-31 | Nut M8, A2 | | | | |
| 17 | 2 | 6157-02 | Bearing tupe L15-L1-M1 | | | | |
| 18 | 2 | 6156-02 | Exit shaft L15-L1-M1 | | | | |
| 19 | 2 | 9931-56 | Key 8x7x25mm, round | | | | |
| 20 | 2 | 4652-03 | Spacer | | | | |
| 21 | 2 | 4652-08 | Bronze bushing | | | | |
| 22 | 1 | 4652-11 | Set of gear wheels | | | | |
| 23 | 1 | 4660-00 | Gear housing cpl. M-Trend-line | | | | |
| 24 | 1 | 4750-50 | Trend transmission repair set | | | | |
| 25 | 1 | 4652-09 | Shift sleeve Trend | | | | |
| 26 | 1 | 9950-03 | Ball bearing 6206-2RS | | | | |
| 27 | 1 | 4652-01 | Drive shaft w/key and sleeve | | | | |
| 28 | 2 | 3263-15 | Clutch part 6-edged NV 80 | | | | |
| 29 | 1 | 9990-90 | Bronze bearing 30x25x13mm | | | | |
| 30 | 1 | 9936-10 | O-ring 89,50x3mm, NBR 70 | | | | |
| 31 | 1 | 3263-11 | 6-groove f/clutch | | | | |
| 32 | 1 | 3263-12 | Divide washer | | | | |
| 33 | 1 | 9931-11 | Disc washer 90x46x3mm | | | | |
| 34 | 1 | 3263-20 | Disc lock for clutch | | | | |
| 35 | 1 | 9936-09 | O-ring 94x3mm, NBR 70 | | | | |
| 36 | 1 | 9936-49 | Tightening ring 38x52x7mm, NBR | | | | |
| 37 | 1 | 3263-13 | Front plate f/clutch | | | | |
| 38 | 2 | 9965-10 | Screw cyl.head M12x45mm, A2 | | | | |
| 39 | 4 | 9965-09 | Screw cyl.head M12x35mm, A2 | | | | |
| 40 | 1 | 9985-84 | PTO protection for 1 3/8" | | | | |
| 41 | 2 | 9928-99 | Counter nut M12, A2 | | | | |
| 42 | 1 | 9934-02 | Torsion spring Trend Quadro | | | | |
| 43 | 1 | 4653-02 | Shaft for excentric | | | | |
| 44 | 1 | 9931-15 | Wave spring 21,8x14x0,3mm, K2 | | | | |
| 45 | 1 | 9990-99 | Bronze bushing 14x20x10mm | | | | |
| 46 | 1 | 9987-21 | Sleeve IGUS MSM-1420-10 | | | | |
| 47 | 1 | 9936-29 | Tightening ring 14x22x4mm, NBR | | | | |
| 48 | 1 | 9936-28 | V-ring VS 14 | | | | |
| 49 | 1 | 9937-13 | Locking ring U 14, A2 | | | | |
| 50 | 1 | 9930-07 | Washer 6,4x17x3mm, A2 | | | | |

Spreading system



Spreading system

| Pos | Qty | Part no | Notes |
|-----|-----|---------|---------------------------------|
| 1 | 1 | 6750-02 | Transmission L15-L1-M1 |
| 2 | 1 | 6260-02 | Agitator cpl. R-side/L-thread |
| 3 | 1 | 6260-01 | Agitator cpl. L-side/R-thread |
| 4 | 2 | 6260-10 | Gasket set & bearing f/agitator |
| 5 | 2 | 4056-03 | Cover f/bearing housing |
| 6 | 1 | 6262-06 | Agitator R-side/L |
| 7 | 1 | 6262-05 | Agitator L-side/R |
| 8 | 1 | 6261-01 | Shaft/agitator R-side/L-thread |
| 9 | 1 | 6261-02 | Shaft/agitator L-side/R-thread |
| 10 | 2 | 4158-05 | Hub f/agitator |
| 11 | 4 | 9913-19 | Socket set screw M8x10mm, A2 |
| 12 | 2 | 4560-01 | Washer for agitator |
| 13 | 2 | 4158-10 | Tightening for agitator |
| 14 | 1 | 6751-41 | Spreading disc, left |
| 15 | 1 | 6751-42 | Spreading disc, right |
| 16 | 2 | 9933-10 | Tension pin dia. 8x40mm, A2 |
| 17 | 2 | 9933-09 | Tension pin dia. 5x40mm, A2 |
| 18 | 2 | 6751-55 | Lid w/lock |
| 19 | 1 | 6150-12 | Vanes A2-T 10-15m |
| 19 | 1 | 6150-18 | Vanes A3-T 18m |
| 20 | 1 | 4470-01 | Guard for safety clutch |
| 21 | 2 | 9962-03 | Screw M8x16mm, A2 |
| 22 | 4 | 9930-32 | Washer 8,4x16x1,6mm, A2 |
| 23 | 2 | 9969-31 | Nut M8, A2 |
| 24 | 2 | 9961-02 | Socket set screw M6x10mm, A2 |

Regulation system

| Pos | Qty | Part no | Notes |
|-----|-----|---------|--------------------------------|
| 1 | 1 | 4581-25 | Fork w/thread |
| 2 | 1 | 4581-28 | Split bolt f/cylinder/actuator |
| 3 | 3 | 9934-32 | Lock spring 2mm, A2 |
| 4 | 2 | 9969-60 | Nut M12, A2 |
| 5 | 2 | 9930-35 | Washer 13x24x2,5mm, A2 |
| 6 | 1 | 6384-28 | Actuator w/wire |
| 7 | 1 | 4584-25 | Tarpauling for actuator LA32 |
| 8 | 1 | 6386-26 | Intelligent control |
| 9 | 1 | 4584-26 | Tarpauling for box |
| 10 | 1 | 6384-29 | Fitting for box |
| 11 | 2 | 9990-43 | Handwheel dia. 31 for M6 nut |
| 12 | 2 | 9961-23 | Screw M6x30mm, A2 |
| 13 | 3 | 9969-16 | Lock nut M6 w/nylon A2 |
| 14 | 2 | 9969-15 | Nut M6, A2 |
| 15 | 4 | 9930-02 | Washer 6,2x12,5x1,6mm, A2 |
| 16 | 1 | 4920-50 | Junction box |
| 17 | 1 | 4581-15 | Cylinder cpl. |
| 18 | 1 | 9934-14 | Spring 7,5x65x216mm galv. |
| 19 | 1 | 9987-04 | Bellows black |
| 20 | 1 | 9990-60 | Hose clamp stainless MAH 10 |
| 21 | 1 | 9990-61 | Hose clamp stainless MAH 20 |
| 22 | 1 | 9983-29 | Hydr. hose 1/4" L1950mm |
| 23 | 3 | 9936-79 | Bonded seals gasket 1/4" |
| 24 | 1 | 9990-78 | Nipple 1/4" BSP |
| 25 | 1 | 9982-06 | Ball valve 1/4" |
| 26 | 1 | 9990-84 | Nipple 1/2"x1/4" BSP 0.8 Bore |
| 27 | 1 | 9936-80 | Bonded seals gasket 1/2" |
| 28 | 1 | 9983-09 | Quick coupling 1/2", male |
| 29 | 1 | 9990-19 | Cover for coupling 1/2" |

FIND MORE INFORMATION ON
www.bogballe.com